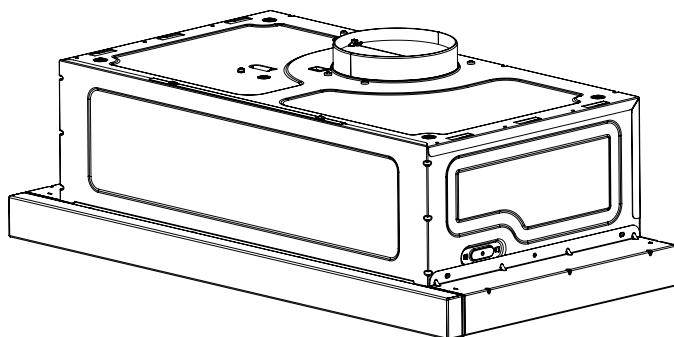




Telescopic Hood

[EN] SAFETY, INSTALLATION and OPERATING MANUAL



IMPORTANT SAFETY INSTRUCTIONS
PLEASE READ CAREFULLY AND KEEP IT FOR FUTURE REFERENCE

Please first read this manual!

Dear Customer,

Please read this manual thoroughly prior to using the product and keep it for reference purpose. If you transfer the product to another person, give the manual as well.




The manufacturer will not accept any responsibility for any damage or fire caused by possible problems arising from failure to comply with the instructions given in this manual.

Please contact with the authorized service centre for all questions.

Operating manual help you use the product correctly and safely.

- Read the operating manual prior to setting up and operating the product.
- Comply with the safety-related instructions definitely.
- Please keep the operating manual in a handy place for any possible need.
- Read other documents given together with the product as well.

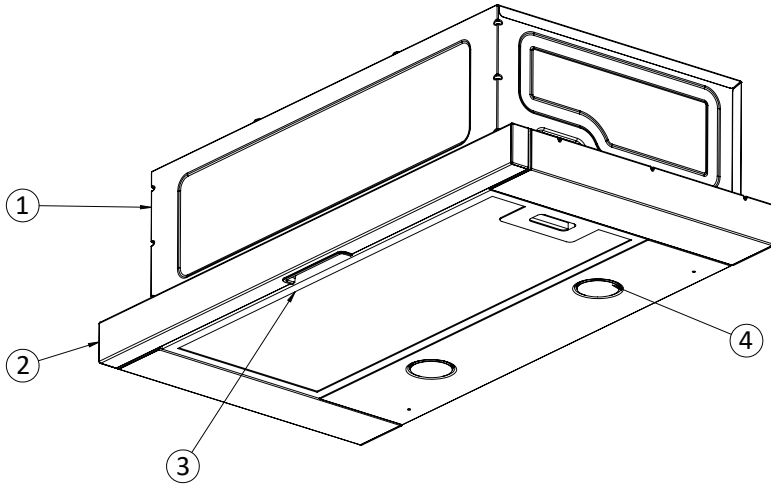
Please remember that the present operating manual may also apply for other versions. There may be differences among the versions due to different manufacturers, but the cleaning and maintenance conditions are same.

Symbol	Meaning
	WARNING - CAUTION
	ELECTRIC SHOCK HAZARD
	FIRE HAZARD

CONTENT

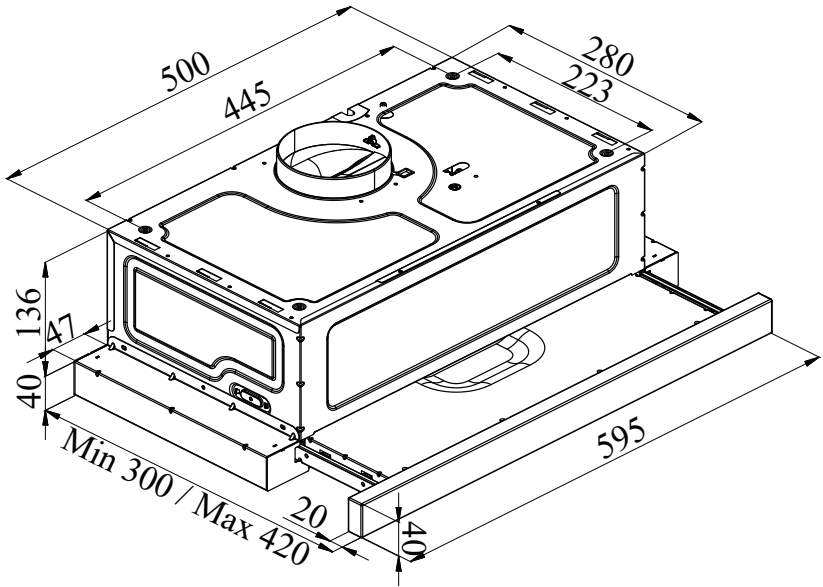
TECHNICAL SPECIFICATIONS OF THE EQUIPMENT.....	4
WARNING AND SAFETY PRECAUTIONS.....	7
INSTALLATION AND ACCESSORIES	12
OPERATING AND USE OF THE HOOD.....	16
CLEANING AND MAINTENANCE	18
SERVICE, SPARE PARTS AND WARRANTY	20

TECHNICAL SPECIFICATIONS OF THE EQUIPMENT



(Figure 1)

1. Body
2. Front Panel
3. Filter
4. Lighting



(Figure 2)

TECHNICAL SPECIFICATIONS

Product Code	D008.60.XXX.XX.Z007
Voltage & Frequency	220-240Vac 50Hz
Total product power	Min 2W- Maks. 102W
Motor power	100W
Lamp power	2 x 1W
Control Panel	2 Speed
Air outlet connection diameter	120mm
Product width	595 mm
Product depth	300 mm
Product height	176mm

WARNING AND SAFETY PRECAUTIONS



This product is designed for domestic use as a version to exhaust or filter the air. It is not designed for operating outdoors.



This product may be used for children above 8 years old and by persons with restricted physical, perceptual or mental skills only if they are kept under supervision or given instructions for safety use of the product and they are well aware of the product-related risks. Children should not play with the product. If they are not above 8 years old and under supervision, cleaning and maintenance of the product should not be performed by the children. Keep the product and its cable in a place out of reach of the small children under 8 years old.



When the electric range hood is simultaneously used with other equipment using gas or other fuels, the room should be ventilated well (It may not be applicable for equipment which only recirculate the air in the room).



Keep the packaging materials in places out of reach of the children or destroy them. Access to the packaging materials by the children may lead to dangerous consequences.



Unless there is no supervision and management with respect to use of the product by a person responsible for safety of the product, this product is not intended to be used by persons (including children) who are restricted physical, sensual and mental skills or lack of experience and knowledge.



Assure that the plug is easily accessible in order to switch it off in case of any risk.



Electric products are dangerous for children. When the equipment operates, keep children away from the electric equipment. Do not allow children to play with the equipment.



Mains values should match with those given in the nameplate of the hood. Lift the glass cover and remove the filter in order to have access to the nameplate.



Use “Maximum 6A” fuse in the power installation to which the hood is connected both for your own safety and product safety.



During installation, power cable should not be subject to compression or crush. If the power cable is damaged, it should be replaced by an authorized service centre or a qualified electrician. It also applies to any possible damage of the power cable in future.



Product should be connected to the mains only by an authorized and qualified electrician. Product warranty starts only after correct installation of it.



Do not plug the product before you fix it on the wall.



Grounded plug is installed to the power cable of your product. This cable should definitely be insert into a grounded socket.



Disconnect power connection of the product prior to cleaning and maintenance. (Remove the plug of the product from the socket for disconnection.)



Failure to fix the screws or fastening elements according to the instructions may lead to electric risks.



When installation of the product is completed, leave a distance of 60 cm between the product and electric ranges or minimum 65 cm between the product and ranges using gas or other fuels. If larger distance is specified in the installation instructions of the gas-fueled ranges, you should stick to them.



When the hood is used together with the cooking equipment, the accessible parts may be heated.



Flammable food should not be cooked under the hood.



Bare flame is very harmful for the hood and may lead to fire risk; it should, therefore, be avoided.



In case of flaming, disconnect power of the hood and cooking equipment (Disconnect the power by removing the plug of the product from the socket).



Operate the hood after you put pot, frying pan or cooking containers on the range. Otherwise, high heat may cause deformation of your product.



Switch the range off before you take the cooking containers such as pot or frying pan from the range.



Do not leave the cooking containers such as pot or frying pan on the range when they contain hot oil. Cooking containers with hot oil in them may cause to self-ignition. Especially be careful when you fry. Watch the curtains and cloth covers due to easily flammable character of the oil.



Oils accumulating on the filters, which are not cleaned and/or replaced timely cause fire risk.



If the cleaning is not performed periodically and by proper methods, your product may have fire risk. You should clean inside and outside of the hood by giving due heed to the maintenance instructions (minimum once in a month).



Do not use any filtering materials not resistant to heat and flame instead of the existing filter on the product. Do not operate your product without filter.



Power cable should not run near the ranges because it may melt and cause fire as it would expose to high temperature.



If you operate lamps of the product for a long time, do not touch the lamps. Lamps may burn your hand as they are still hot.



Unless it is specially specified, never use the hood as a supporting surface. Do not place any weight on it.



Use the screw supplied with the product for installation or if they are not supplied then purchase proper type of screws. For installation, use screws with correct diameter and height as specified in the manual.



Regulations related to exhaust of the outlet air should be observed.



Air should never be exhausted into the flue which is intended for exhaust of the smokes emitted from the equipment using gas or other fuels to outside (It may not be applied for the equipment which only recirculates the air in the room). Flue of the hood should be only for the hood. It should not be used with equipment in common.



Exit of the hood should not be connected to the air ducts where flues of other types of equipment are located.



When you connect the hood to the flue, use pipe in diameter of 120 mm. For good performance, the pipe connection should be as short as possible, smooth and with minimum bends.



Discharge pipe is not supplied with the product. It should be purchased separately. Diameter of the discharge pipe should be equal to the diameter of the connection ring.




As the hood expels the air in the room to the outside, other equipment operating with air may be affected. For this reason, when the hood operates, allow entry of fresh air into the house.



In case of use of activated carbon filter without flue connection, never wash the activated carbon filters. Depending on frequency of use of this filter, you are recommended to replace it in 2-4 months in average. When you desire to replace it, please contact with the authorized service centre.

This equipment is market as per the European Directive 2012/19/EC on Waste Electric and Electronic. If you ensure proper disposal of this product, you will prevent adverse effects that may arise due to improper treatment of the product for human health.



The symbol  used on the product itself or on the documents given together with the product refers to the fact that this equipment should not be considered as domestic waste. The equipment should be delivered to the gathering site of recyclable products where this type of electric and electronic equipment is disposed. Disposal of waste should be performed in accordance with the current local environmental regulations with respect to disposal.

For detailed information about recycling conditions of this product, consult to the related department of the local municipality, waste treatment service or dealer of the product.

INSTALLATION AND ACCESSORIES

Prior to Unpacking the Product:

Make sure that the electric installation is proper. If you are not certain, call a qualified electrician and cause the required arrangements are performed by him.

Preparation of the installation site as well as the electric installation is for responsibility of the customer.

For installation of the product, the rules related to power as specified by the local standards should be observed.

Control whether the product has any damage prior to installation of it. If the product is defective, do not install it. Otherwise the defective product may pose risk for safety.



The room should be ventilated well for safe operation of the product.

If there is no window for ventilation of the room, you should provide an extra ventilation (vent on the window pane, etc.). If there is vent in your kitchen, never block it. Inspect condition of other materials inside the hood (e.g. installation accessories, operating manual) in the carton box and remove and keep them in a separate place. Never keep them in the hood.

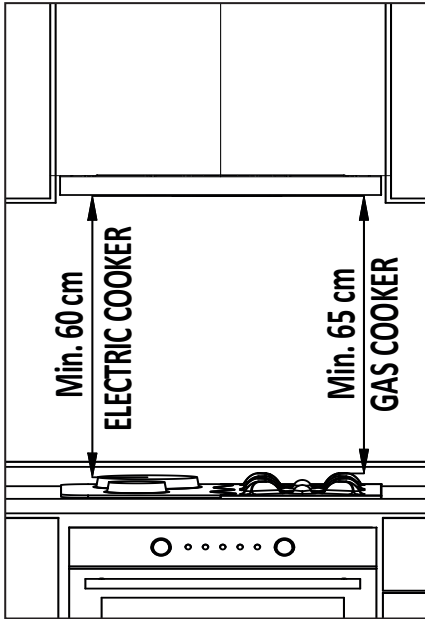
Do not install the product on such surfaces as tile, gloss or silicon. Fix it on the wall only.



Do not allow the children to play with the packaging materials!

INSTALLATION OF THE HOOD

Please follow the following order of actions to install the product.

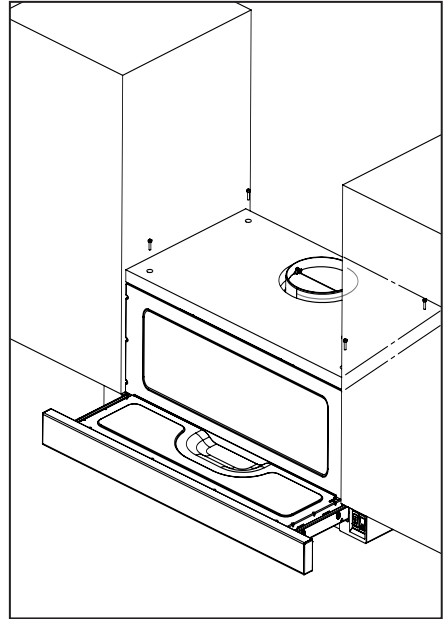


(Figure 3)

Position of the Product:

When installation of the product is completed, there should be a clearance of 60cm between the product and electric ranges and 65 cm between the product and ranges using gas or other fuels.

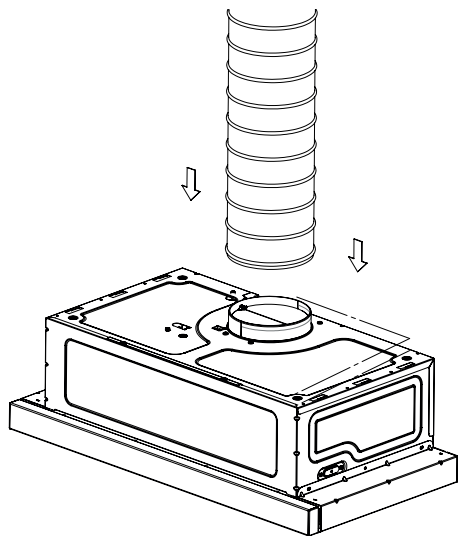
(Figure 3)



(Figure 4)

1) Attach the mounting template located next to the mounting equipment inside the product box on the surface where the product will be mounted.

(Figure 4)



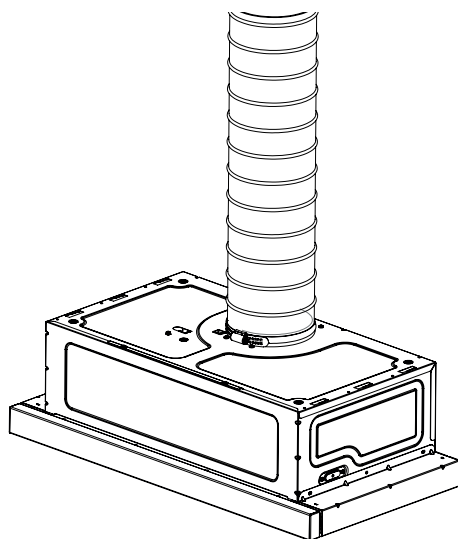
(Figure 5)

2) Drill $\varnothing 4$ mm drilled holes at the points marked A, B, C, D on the Mounting Template.

3) Drill the chimney outlet hole specified in the mounting template in the given size.

4) The product is mounted to the cabinet from the A, B, C, D points by using the 4,8x50 screws supplied with the device. When the slide set moves, the front panel should not rub against the cabinet door.

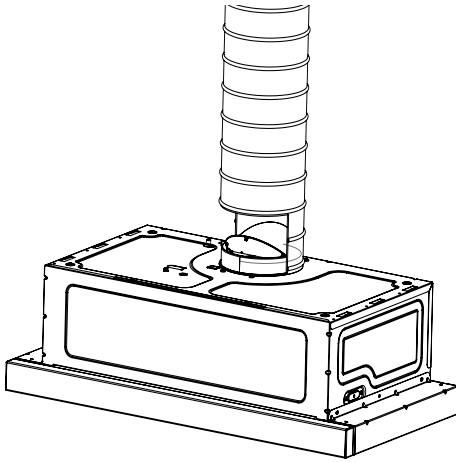
(Figure 4)



(Figure 6)

5) Connect the hood with the aluminum pipe. Pass the flexible aluminum pipe into the plastic flue and fix it by using the plastic cable holder or clamp without overtightening. Insert other end of the pipe into the flue hole on the wall.

(Figure 5-6)



(Figure 7)

Prior to connecting the hood with the pipe, you should control the plastic flaps at the product air exit point. Before making the pipe connection, operate the hood and make sure the flaps move upwards correctly and allow air exit. Otherwise, change direction of the flaps.

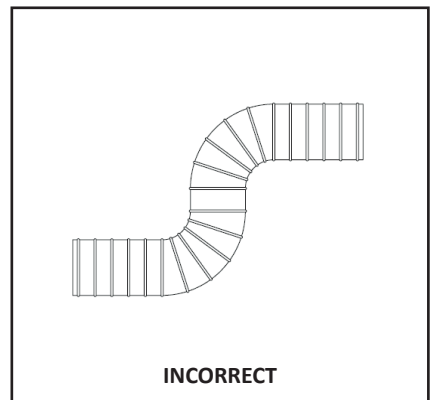
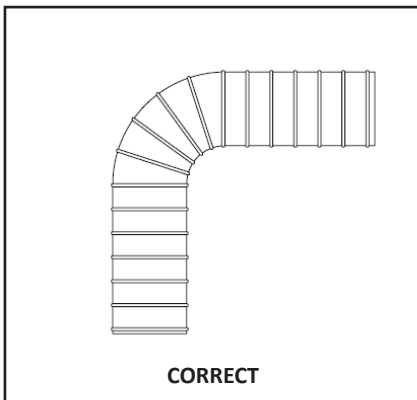
(Figure 7)

Overtightening of the cable holder or clamp when making pipe connection may prevent operation of the flaps. Prior to connecting the pipe with the chimney of your house, you, therefore, control whether the hood operates properly by operating it.

To use the hood efficiently:

When connecting the hood with the flue, use pipe in diameter of 120 mm and minimum number of bends as far as possible. As the bends and elbows on the aluminum pipe will cause reduction in the air suction power, you should avoid use of much bends and elbows as far as possible (Figure 8)

Give heed to regular use of the aluminum cartridge filters and replacement times of the carbon filters.



(Figure 8)

OPERATING AND USE OF THE HOOD

Prior to Operating the Hood



Prior to operating the hood, make sure all mechanical and electric connections are completed.



Do not leave any foreign material inside the hood. Make sure there is no packaging material around it.

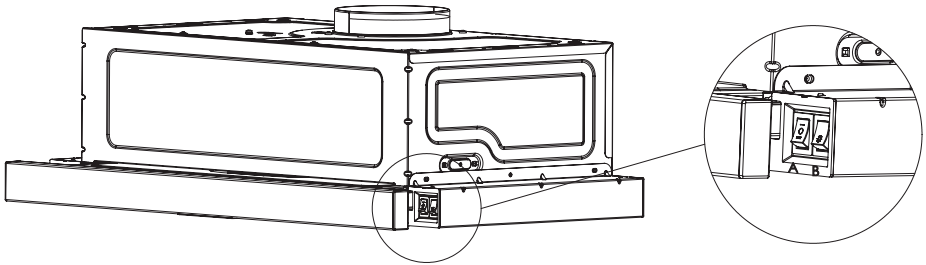


Make sure you remove blue protection band at the edges of the washable aluminum cartridge filter on the hood. Please remember that if this protective band is not removed, it poses burning risk as it is not of inflammable character.

Speed Selection

The device has 2 stages of ventilation. Select one of the low (1st cycle) - high (2nd cycle) operating levels according to the steam generated during cooking. After completing your cooking process, leave the hood running for a while, so that the remaining odor and vapor will be absorbed.

2 Speed Rocker Switch Control



(Figure 9)

A- Cycle Switch

B- Light On / Off Switch

To operate the device in the first speed stage, turn the speed switch to the position.

Figure 9/A

To operate the device in the second speed stage, turn the speed switch to the position.

Figure 9/A

In order to turn on the lamp of the device, turn the cycle switch to the position to operate the lamp on / off switch.

Figure 9/B

Functions of the equipment

Hood can be used in kitchens with or without flue.

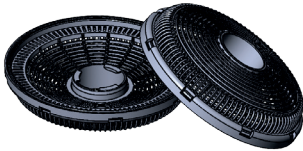
For use with flue:

In case of use with flue connection, the hood should be connected to a flue to exhaust the air. For efficient use of your hood, you should follow the shortest way of the piping to the flue and the airway should be open

Your product is delivered from the factory as suitable for use with flue.

WARNING: Hood should not be connected to air channel where there are other smokes.

For use without flue;

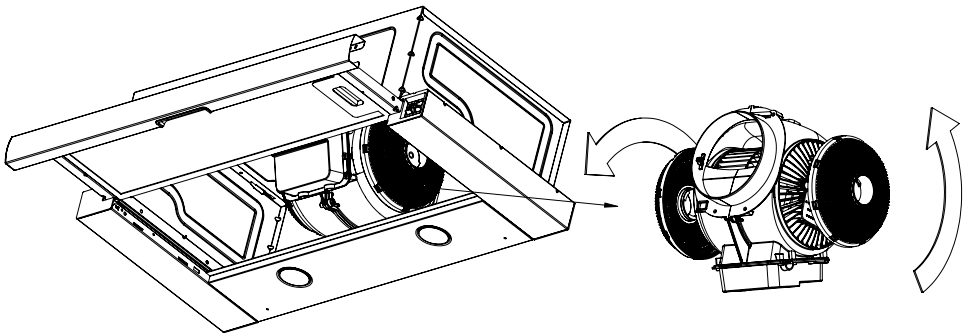


(Figure 10)

Activated Carbon Filter

In the places without any pipe for connection to outside, you should use activated carbon filter to filter and recirculate the air in the place. You should get the activated carbon filter from your authorized service centre.

(Figure 10)



(Figure 11)

Replacement of Activated Carbon Filter

You should use 2 carbon filters on the product.

In order to put the carbon filter in place, the channels on the motor cover should be brought to alignment with the lugs on the filter and rotate it half turn clockwise. To remove it, you should rotate it anticlockwise by half turn.

(Figure 11)

CLEANING AND MAINTENANCE

Cleaning

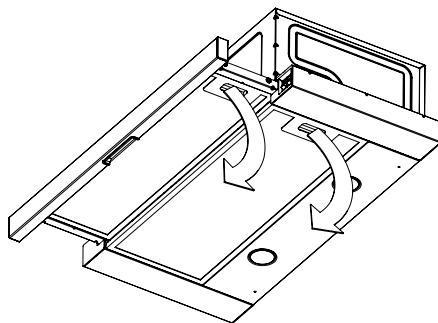
Before maintenance and cleaning operations, you should remove the power cable from the socket or switch the hood off.

- External surfaces of the hood should be wiped with a cloth dampened with soap water.
 - Do not use corrosive and dangerous chemical materials.
 - Be careful that water or similar substances should not contact with the electronics.
 - For products made of stainless sheet, use of commercially available maintenance and cleaning agents for stainless product will ensure your product to serve longer.
 - Aluminum cartridge filters are washable in the dishwashing machines.
 - Aluminum cartridge filter should be washed one in several months (after each 40 operating hours in average) depending on frequency of use with hot soapy water or, if possible, individually in the dishwashing machine (maximum 60°C).
 - After washing, aluminum cartridge filter and its frame may discolour. This is normal and does not affect function of the filters.
 - Remove the aluminum cartridge filter by pushing the spring catch at the end.
- After cleaning, allow it to dry. Do not put in un place before it gets dry

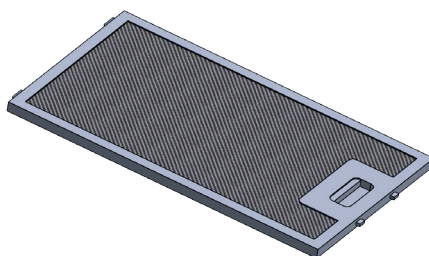
(Figure 12)

Washable aluminum cassette filters

*If you desire to replace aluminum cartridge filter, consult to the nearest authorized service centre to get it. For this purpose, you should state the version number written on the nameplate of your product. Filters for other brands and versions commercially available are not compliant with your product.



(Figure 12)

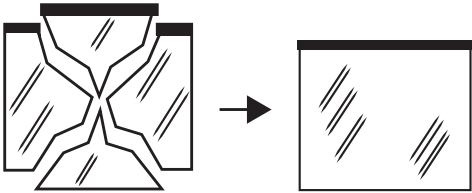


General Information About Lamps and Replacement of Lamps

Hood is equipped with a LED-based lighting system.

When LEDs are compared with ideal lighting and normal lamps, they provide a service time 10 times longer, with energy savings up to 90%.

If you encounter any physical deformation of the lamp of the hood or any problem with its lighting, please contact with the authorized service centre.



If there occurs any crack or break on the surface of the lamp, contact with the authorized service centre and replace it.

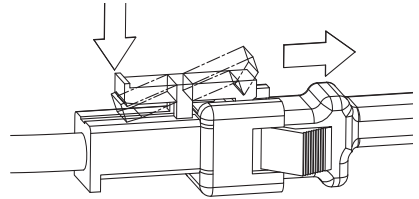
If it is required to replace the lamps, please check the following info and replace it with an alternative having the same technical specifications.

- ILCOS D code: DBR-1-H (ILCOS d code as per standard IEC 61231)
- LED module – semi-transparent plastic
- Rated power of each lamp: 1W
- Maximum lamp potential power for replacement: 2 x 1W
- Voltage range of the lamp: 220 - 240V
- Product sizes: diameter: 35,8 mm / height: 30 mm

If required, you may acquire new lamps from the authorized service centre.

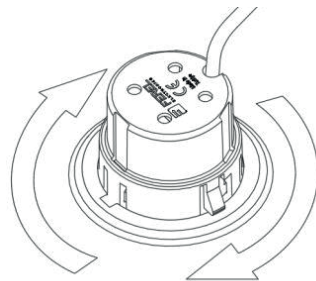
Replacement of the Lamps

Prior to replacement of the lamps, remove power cable of the hood. And then lift the front glass upward and remove the aluminum cartridge filter. Afterwards:



(Figure 13)

1. Disconnect the female and male connectors of the lamps by pushing back part of the plastic lug as shown in the figure at left here to release the locking mechanism. (Figure 13)



(Figure 14)

2. Hold the lamp at its body and rotate 2 retaining lugs on the lamp clockwise or anticlockwise to match with the gaps on the lighting panel. After bringing the retaining lugs to align with the gaps, hold the lamp at its body and bring it out. (Figure 14)

SERVICE, SPARE PARTS AND WARRANTY

Matters to be Considered by the Customer Regarding the Warranty;

Keep the product warranty certificate. If the warranty certificate cannot be presented, the product will be treated out of warranty. Auxiliary elements and accessories to be purchased with the product are excluded from the product warranty. The materials specified in the user manual that need to be replaced over time and depending on usage are excluded from the warranty.

The following conditions are excluded from the warranty:

1. Damages and malfunctions caused by the installation of the product contrary to what is stated in the manual and usage errors,
2. Damages and malfunctions during loading, unloading and transportation after delivery of the product to the customer,
3. Low or excessive voltage; faulty electrical installation; damages and malfunctions resulting from the use of the product at a voltage different from the voltage value specified on the type label,
4. Damages and malfunctions caused by fire and/or lightning strikes,
5. Malfunctions arising from the use of the product contrary to the points in the user manual that the user should pay attention to.
6. Glass breakage
7. Errors caused by anyone other than authorized persons intervening or attempting to repair the device.
8. Problems arising from the installation of any part other than the parts supplied by the manufacturer.

The responsibility of finalizing the warranty certificate and giving it to the consumer belongs to the seller, dealer, agency or representative offices where the consumer purchased the goods. This warranty is invalid if the warranty certificate is falsified, the original serial number on the product is removed or defaced.

The aluminum filters used in the hoods should be cleaned in the time and manner specified in the manual. As a result of use, blackening and discoloration may occur on the filters over time. Such situations are normal, do not prevent the product from fulfilling its duties and functions and are not covered by the warranty. If the warnings specified in the manual are not observed in stainless steel products, blackening, oxidation, fluctuations on the surface may occur. Such cases are not covered by the warranty.

Warnings Regarding Transportation and Handling

- Observe the markings on the parcel during transportation.

If you need transportation;

- Keep the original packaging.
- Transport with the original packaging, follow the transportation signs on the packaging.

If the original packaging is missing;

- Do not place heavy objects on the hood.

AFTER SALES SERVICE:

Please contact the manufacturer for the nearest authorized service agency.

We kindly ask you to observe the following precautions.

1. When you receive your product, have the Warranty Certificate approved by your Authorized Dealer.
2. When you have a service request for your product, you can call the Consumer Hotline.
3. Ask the service technician for the "technician ID card".
4. Do not forget to ask the service technician for a "Service Receipt" when you are done. The service receipt you will receive will benefit you in case of any problems that may occur in your product in the future.
5. Lifetime: 10 years. During this period, the manufacturer guarantees the availability of the necessary spare parts.

If the cooker hood is not working:**Before contacting the service:**

Make sure that the plug is inserted in the socket and that the electrical fuse in the installation is intact.

Do not carry out any work that could damage the product.

Check your hood according to Table 1 before contacting the service.

If the problem persists, contact the nearest authorized service center.

Service and Spare Parts:

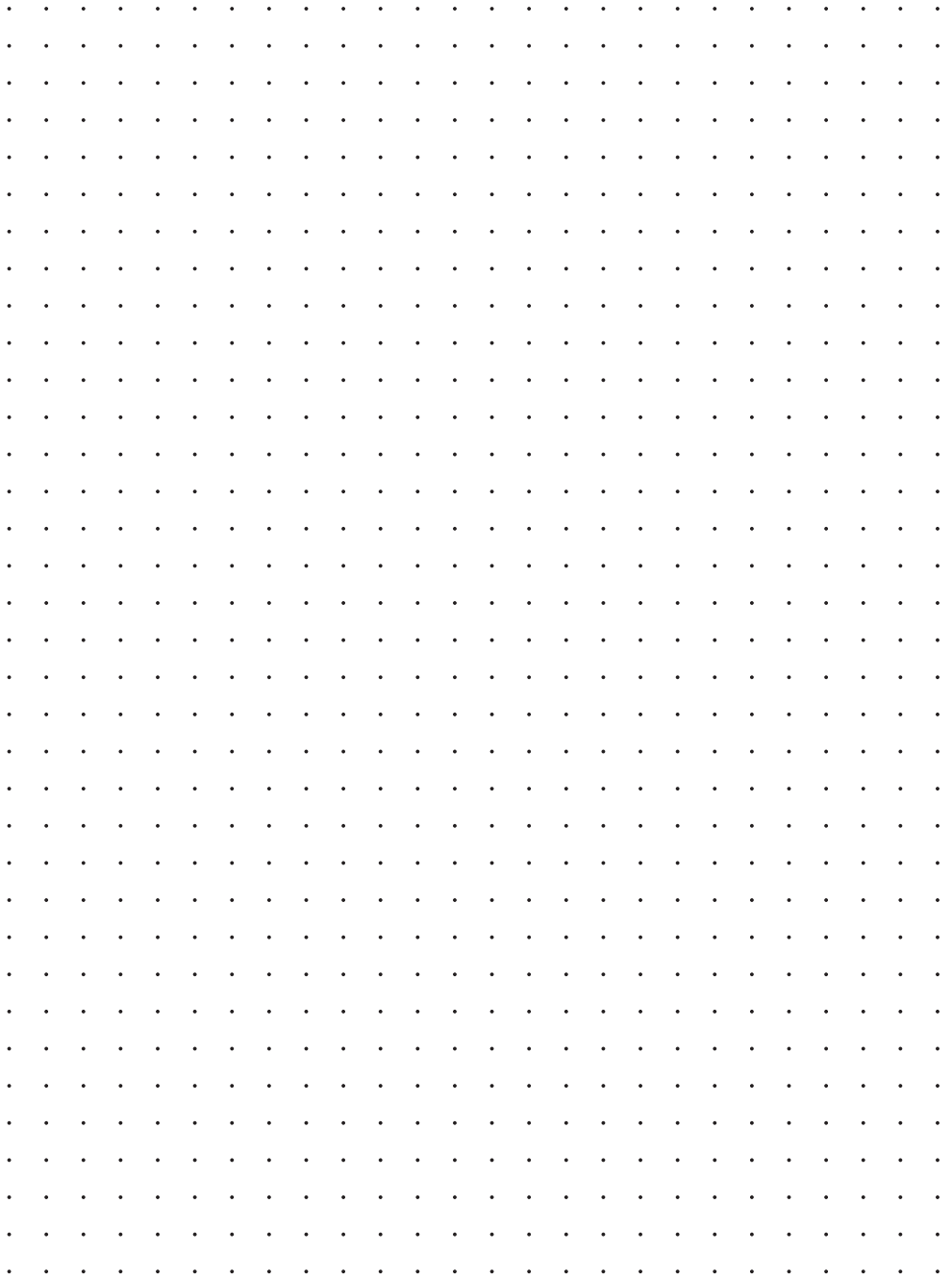
If necessary, you can obtain spare parts for your product from your authorized service center.

When you contact your service center or dealer, please state the product model name that you can see on the product label in order to request spare parts. You will be able to see the product label when you remove the aluminum cassette filter.

PROBLEM	CAUSE	SOLUTION METHOD
The device is not working.	The plug may not be plugged in.	Make sure the plug is inserted into the socket.
	The On/Off button may not have been pressed.	Press the On/Off key.
The lighting does not work.	The plug may not be plugged in.	Make sure the plug is plugged in.
	The product switch may not be working.	Check the switch.
	The lamp may be broken.	Replace the lamp.
The performance of the device is insufficient or it makes a loud noise when operating.	If you are using the hood without a chimney, the carbon filters may be more than 4 months old.	Replace carbon filters with new ones.
	There may not be enough fresh air entering your kitchen to ensure air flow.	Open the kitchen window to ventilate the environment.
	The air outlet may be partially or completely blocked.	Check that the air discharge path is open.

(Table 1)

If you cannot resolve the problem despite following the instructions in this section, please contact your nearest authorized service center or get support from our call center.



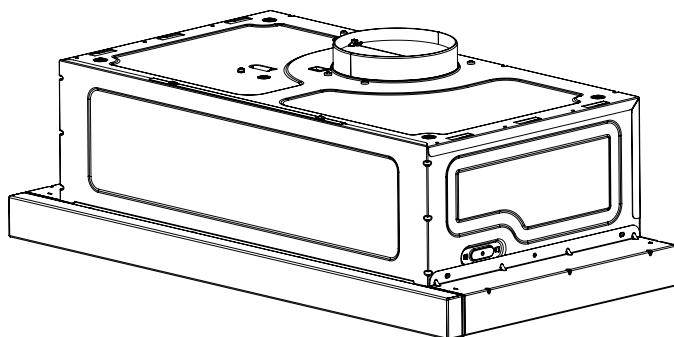
Complies with AEEE Regulation.

If you have any complaints, you can file your complaints and objections to consumer courts and consumer arbitration committees.

Hagen

SAUGER

[DE] SICHERHEITS-, INSTALLATIONS- und
BEDIENUNGSHANDBUCH



CE

WICHTIGE SICHERHEITSHINWEISE SORGFÄLTIG LESEN UND FÜR SPÄTERES

Bitte vorerst diese Bedienungsanleitung lesen!

Sehr geehrter Kunde,

lesen Sie bitte diese Bedienungsanleitung vollständig und gründlich durch und bewahren Sie das Handbuch als Referenzquelle auf. Wenn Sie das Produkt wiederum an eine andere Person weitergeben, geben Sie auch dieses Handbuch zusammen mit dem Produkt weiter.




Der Hersteller übernimmt keine Haftung für eventuelle Fehlfunktionen, Schäden oder Brände, die durch Nichtbeachtung der in dieser Anleitung enthaltenen Anweisungen verursacht werden

Wenden Sie sich bei allen Fragen an den autorisierten Händler.

Die Bedienungsanleitung gewährleistet die schnelle und sichere Anwendung des Produkts.

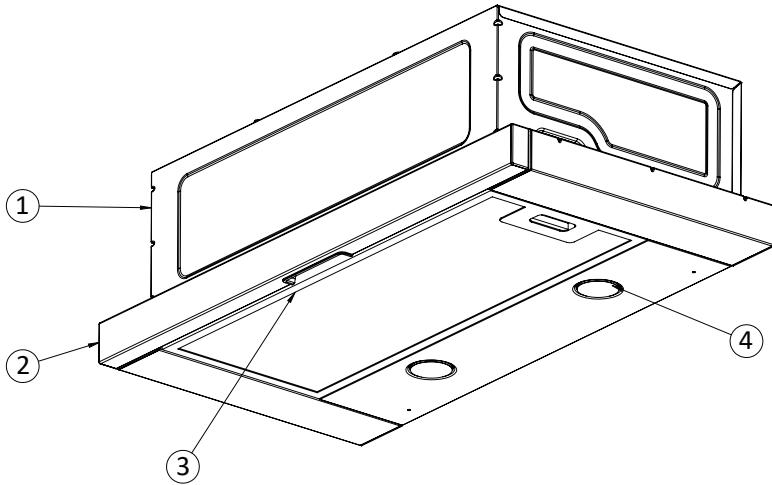
- Vor der Installation und Anwendung des Produkts, lesen Sie bitte diese Bedienungsanleitung sorgfältig durch.
- Beachten Sie auf alle Fälle die Sicherheitshinweise.
- Da Sie diese Bedienungsanleitung auch in der Zukunft benötigen werden, sollte es leicht zugänglich aufbewahrt werden.

Beachten Sie, dass diese Anleitung für mehrere Produktmodelle anwendbar ist. Zwischen den einzelnen Modellen kann es Herstellerunterschiede geben, aber die Reinigungs- und Wartungsbedingungen sind die gleichen.

Symbol	Bedeutung
	ALLGEMEINE WARNUNGEN
	ELEKTRISCHE WARNUNG
	BRANDWARNUNG

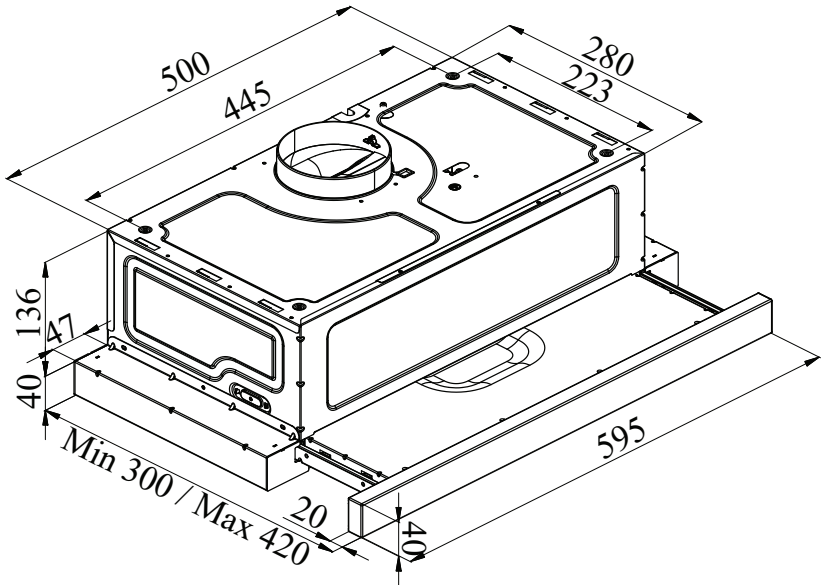
TECHNISCHE EIGENSCHAFTEN DES GERÄTS	4
WARNUNG UND SICHERHEITSVORKEHRUNGEN.....	7
MONTAGE UND ZUBEHÖR	12
BETRIEB UND BEDIENUNG DER DUNSTABZUGSHAUBE.....	16
REINIGUNG UND PFLEGE	18
SERVICE, ERSATZTEIL UND GARANTIE	20
HINWEISE.....	23

TECHNISCHE EIGENSCHAFTEN DES GERÄTS



(Abbildung 1)

1. Körper
2. Frontplatte
3. Filter
4. Beleuchtung



(Abbildung 2)

TECHNISCHE EIGENSCHAFTEN

Produkt-Code	D008.60.XXX.XX.Z007
Spannung & Frequenz	220-240Vac 50Hz
Gesamte Produktleistung	Min. 2W- Max. 102W
Motorleistung	100W
Lampenleistung	2 x 1W
Bedienfeld	2 Geschwindigkeitsstufen
Durchmesser Luftauslassanschluss [mm]	120mm
Produktbreite	595 mm
Produkttiefe	300 mm
Produkthöhe	176mm

WARNUNG UND SICHERHEITSVORKEHRUNGEN



Dieses Produkt ist für die Verwendung im Haushalt bestimmt und ist als Abluft- oder Filtermodell konzipiert. Es ist nicht für den Betrieb im Freien vorgesehen.



Dieses Gerät darf nur von Kindern über 8 Jahren, die körperlich, sensorisch oder mental behindert sind, nur dann benutzt werden, wenn sie in die sichere Verwendung des Gerätes eingewiesen wurden und sich der damit verbundenen Gefahren bewusst sind. Die Kinder dürfen nicht mit dem Gerät spielen. Wenn sie nicht älter als 8 Jahre alt sind und nicht beaufsichtigt werden, sollten die Reinigung des Geräts und Benutzerwartung nicht von Kindern durchgeführt werden. Lagern Sie das Gerät und dessen Kabel so, dass es für Kinder unter 8 Jahren unzugänglich ist.



Wenn die elektrische Dunstabzugshaube gleichzeitig mit Geräten verwendet wird, die mit Gas oder anderen Brennstoffen betrieben werden, muss der Raum ausreichend belüftet werden. (Gilt möglicherweise nicht für Geräte, die die Luft nur in den Raum zurückführen)



Bewahren Sie Verpackungsmaterial außerhalb der Reichweite von Kindern auf oder entsorgen Sie es. Wenn Kinder mit dem Verpackungsmaterial in Berührung kommen, kann dies gefährliche Folgen haben.



Es ist nicht vorgesehen, dass das Gerät von Personen die physisch, sinnlich oder geistig behindert sind (einschließlich Kinder) oder Personen mit mangelnder Erfahrung und Bildung benutzt wird, bevor nicht die Überwachung und Bedienung des Geräts durch eine Person, die für die Sicherheit des Geräts verantwortlich ist, gewährleistet wurde.



Achten Sie darauf, dass der Stecker leicht zugänglich ist, um das Produkt im Gefahrenfall vom Netz zu trennen.



Elektrische Produkte sind für Kinder gefährlich. Halten Sie Kinder von elektrischen Produkten fern, wenn das Gerät in Betrieb ist. Kinder dürfen mit dem Gerät nicht spielen.



Die Netzanschlusswerte müssen mit den auf dem Typenschild der Dunstabzugshaube angegebenen Werten übereinstimmen. Um an das Typenschild zu gelangen, heben Sie die Glasabdeckung an und nehmen den Filter heraus.



Verwenden Sie zu Ihrer eigenen Sicherheit und zur Sicherheit des Produkts eine „Maximal 6A“-Sicherung in der Elektroinstallation, an die Ihre Haube angeschlossen ist.



Während der Montage darf das Netzkabel nicht zusammengedrückt oder gequetscht werden. Wenn das Netzkabel beschädigt ist, muss es von einem autorisierten Service oder von einem qualifizierten Elektriker ersetzt werden. Dies gilt auch für den Fall, dass das Stromkabel in Zukunft beschädigt wird.



Das Produkt darf nur von einer autorisierten und qualifizierten Person an das Stromnetz angeschlossen werden. Die Garantie für das Produkt beginnt erst nach korrekter Installation.



Vor der Wandmontage, das Produkt nicht am Netz anschließen.



Am Netzkabel des Produkts ist ein geerdeter Stecker montiert. Dieses Kabel darf ausschließlich an geerdete Steckdosen angeschlossen werden.



Trennen Sie das Gerät vor der Reinigung und Wartung von der Stromversorgung (Trennen Sie das Gerät von der Stromversorgung, indem Sie den Stecker aus der Steckdose ziehen.)



Wenn Sie die Schrauben oder die Befestigungsvorrichtung nicht gemäß den Anweisungen anbringen, kann dies zu elektrischen Gefahren führen.



Nach Abschluss der Montage der Dunstabzugshaube muss der Abstand zwischen dem Produkt und der Elektrokochstelle min. 60 cm und bei Gaskochstellen sowie bei anderweitig betriebenen Kochstellen min. 65 cm sein. Wenn in der Anleitung für die Installation von Gaskochfeldern ein größerer Abstand angegeben ist, muss dieser eingehalten werden.



Wenn die Dunstabzugshaube in Verbindung mit Kochgeräten verwendet wird, können zugängliche Teile heiß werden.



Entflammare Lebensmittel dürfen nicht unter der Dunstabzugshaube gegart werden.



Eine offene Flamme ist äußerst schädlich für die Dunstabzugshaube und kann zu einer Brandgefahr führen und muss daher vermieden werden.



Schalten Sie im Falle einer Verpuffung die Stromzufuhr zur Dunstabzugshaube und zu den Kochgeräten aus (Ziehen Sie den Stecker aus der Steckdose.)



Schalten Sie die Dunstabzugshaube erst ein, wenn Sie Töpfe, Pfannen und Kochutensilien auf das Kochfeld gestellt haben.



Andernfalls kann sich Ihr Produkt aufgrund der hohen Hitze verformen.



Schalten Sie Ihr Kochfeld aus, bevor Sie Kochutensilien wie Töpfe und Pfannen von der Kochstelle nehmen. Mit heißem Fett gefüllte Behälter können von selbst aufflammen. Seien Sie vorsichtig, wenn Sie frittierte Lebensmittel zubereiten. Seien Sie vorsichtig mit Vorhängen und Gardinen, da Öle entflammbar sind.



Ölansammlungen auf Filtern, die nicht rechtzeitig gereinigt und/oder ausgetauscht werden, stellen ein Brandrisiko dar.



Wenn die Reinigung nicht in regelmäßigen Abständen und mit geeigneten Methoden durchgeführt wird, kann Ihr Produkt ein Brandrisiko darstellen. Es ist notwendig, die Innen- und Außenseite der Haube (mindestens einmal im Monat) gemäß der Wartungsanleitung zu reinigen.



Verwenden Sie keine Filtermaterialien, die nicht temperatur- und flammenbeständig sind, um den vorhandenen Filter am Produkt zu ersetzen. Betreiben Sie Ihr Produkt nicht ohne Filter.



Verlegen Sie das Netzkabel nicht in der Nähe der Kochfelder, da es hohen Temperaturen ausgesetzt ist und schmelzen und einen Brand verursachen könnte.



Berühren Sie die Lampen nicht, wenn Sie die Lampen des Produkts über einen längeren Zeitraum betreiben. Sie könnten sich verbrennen, da die Leuchten heiß werden.



Verwenden Sie die Haube niemals als Auflagefläche, es sei denn, Sie werden ausdrücklich dazu aufgefordert. Belasten Sie es nicht.



Verwenden Sie für die Installation die mit dem Produkt gelieferten Schrauben oder kaufen Sie, falls nicht mitgeliefert, den entsprechenden Schraubentyp. Verwenden Sie für die Installation Schrauben mit dem richtigen Durchmesser und der richtigen Länge, wie in der Anleitung angegeben.



Die Vorschriften zur Ableitung der Abluft müssen eingehalten werden.



Die Luft darf niemals in den Kamin geleitet werden, der für die Ableitung der Abgase von Gasgeräten oder anderen Brennstoffen verwendet wird. (gilt nicht für Geräte, die nur Luft in den Raum zurückführen) Der Kamin der Dunstabzugshaube darf nur zur Dunstabzugshaube gehören. Sie sollte nicht mit anderen Geräten gemeinsam verwendet werden.



Der Auslass der Dunstabzugshaube darf nicht an Luftkanäle mit Schornsteinen für andere Gerätetypen angeschlossen werden.



Verwenden Sie für den Anschluss des Rauchabzugs an Ihre Dunstabzugshaube ein Rohr mit einem Durchmesser von 120mm. Um eine gute Leistung zu erzielen, sollte die Rohrverbindung so kurz wie möglich, glatt und mit wenigen Bögen sein.



Das Ablassrohr ist nicht im Lieferumfang des Produkts enthalten. Sie muss separat erworben werden. Der Durchmesser des Ablassrohrs muss mit dem Durchmesser des Anschlussrings übereinstimmen.




Da die Dunstabzugshaube die Umgebungsluft absaugt, können andere luftbetriebene Geräte beeinträchtigt werden. Aus diesem Grund sollte bei laufender Dunstabzugshaube Frischluft ins Haus gelassen werden.



Waschen Sie den Aktivkohlefilter nicht, wenn er mit einem Aktivkohlefilter ohne Kaminanschluss verwendet wird. Es wird empfohlen, diesen Filter je nach Nutzungshäufigkeit alle 2-4 Monate zu wechseln. Wenn Sie es austauschen möchten, wenden Sie sich an den autorisierten Service.

Dieses Gerät ist gemäß der europäischen Richtlinie 2012/19/EU über Elektro- und Elektronik-Altgeräte (WEEE) gekennzeichnet. Wenn Sie sicherstellen, dass dieses Produkt ordnungsgemäß entsorgt wird, vermeiden Sie mögliche schädliche Auswirkungen auf die Umwelt und die menschliche Gesundheit, die sich aus einer unsachgemäßen Handhabung dieses Produkts ergeben können.



Das Symbol  auf dem Produkt oder den Begleitunterlagen weist darauf hin, dass dieses Gerät nicht als Hausmüll entsorgt werden darf. Das Gerät muss bei einer Recycling-Sammelstelle für diese Art von Elektro- und Elektronikgeräten abgegeben werden. Die Abfallentsorgung muss in Übereinstimmung mit den geltenden örtlichen Umweltvorschriften für die Abfallentsorgung erfolgen. Ausführliche Informationen über die Recyclingbedingungen für dieses Produkt erhalten Sie bei der zuständigen Stelle Ihrer Gemeinde, dem Abfallentsorgungsdienst oder dem Verkäufer des Produkts.

MONTAGE UND ZUBEHÖR

Vor dem Auspacken des Geräts:

Vergewissern Sie sich, dass Ihre Elektroinstallation geeignet ist. Wenn Sie sich nicht sicher sind, wenden Sie sich an einen Elektrofachmann, um die notwendigen Vorkehrungen zu treffen. Es liegt in der Verantwortung des Kunden, den Ort, an dem das Produkt installiert werden soll, sowie die Elektroinstallation vorzubereiten. Bei der elektrischen Installation müssen die lokalen Richtlinien und Bestimmungen eingehalten werden. Überprüfen Sie das Produkt vor der Installation auf Beschädigungen. Wenn das Produkt beschädigt ist, installieren Sie es nicht. Beschädigte Produkte gefährden Ihre Sicherheit.



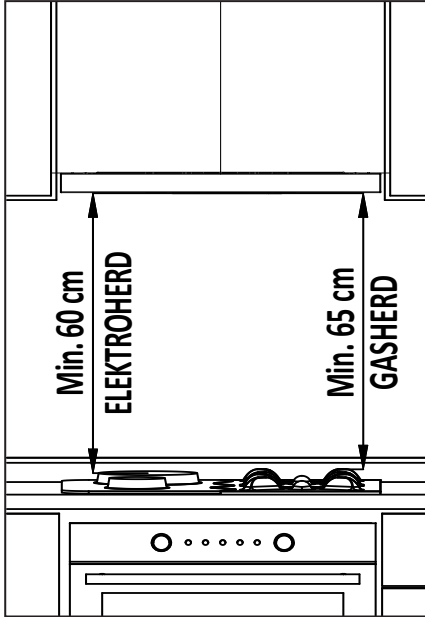
Für einen sicheren Betrieb ist eine gute Raumbelüftung notwendig. Ist kein Fenster vorhanden, das zur Belüftung des Raumes genutzt werden kann, sollte eine zusätzliche Belüftung (z. B. durch Öffnen eines Fenstergitters) vorgesehen werden. Wenn es in Ihrer Küche ein Luftloch gibt, dürfen Sie es nicht schließen. Überprüfen Sie den Zustand der anderen Materialien (z.B. Montagezubehör, Bedienungsanleitung) im Inneren der Dunstabzugshaube, nehmen Sie sie aus dem Karton und lagern Sie sie separat. Bewahren Sie sie niemals in der Dunstabzugshaube auf. Montieren Sie das Gerät nicht auf Oberflächen wie Fliesen, Glas oder Silikon. Montieren Sie es nur an die Wand.



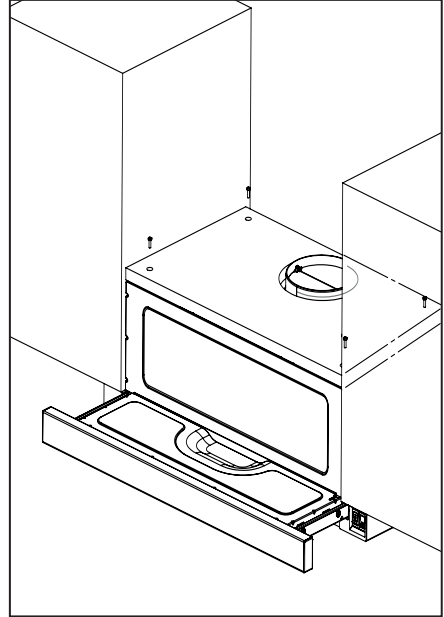
Lassen Sie Kinder nie mit dem Verpackungsmaterial spielen!

MONTAGE DER DUNSTABZUGSHAUBE

Um das Produkt zu montieren, gehen Sie wie folgt vor.



(Abbildung 3)



(Abbildung 4)

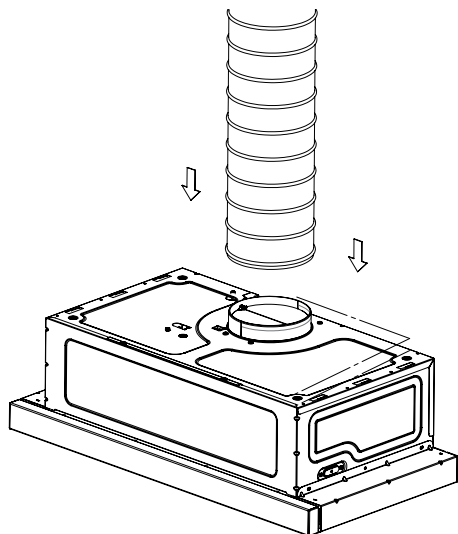
Position des Geräts:

Nach Abschluss der Montage der Dunstabzugshaube muss der Abstand zwischen dem Produkt und der Elektrokochstelle 60 cm und bei Gaskochstellen sowie bei anderweitig betriebenen Kochstellen 65 cm sein.

(Abbildung 3)

1) Bringen Sie die Montagegeschablone, die sich neben dem Montagezubehör im Inneren des Produktkartons befindet, auf der Oberfläche an, auf der das Produkt montiert werden soll.

(Abbildung 4)



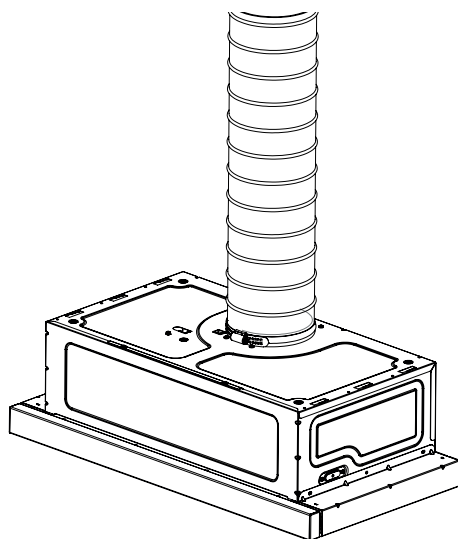
(Abbildung 5)

2) Bohren Sie an den auf der Montageschablone mit A, B, C, D gekennzeichneten Stellen Bohrungen mit $\varnothing 4$ mm.

3) Bohren Sie das in der Montageschablone angegebene Schornsteinabzugsloch in der angegebenen Größe.

4) Das Produkt wird an den Punkten A, B, C, D mit den mitgelieferten Schrauben 4,8x50 am Schrank befestigt. Bei der Bewegung des Schiebersatzes darf die Frontplatte nicht an der Schranktür reiben.

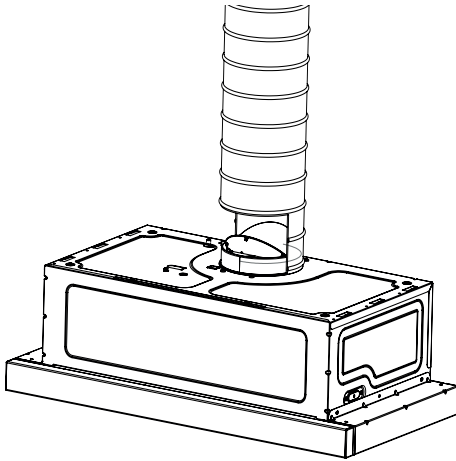
(Abbildung 4)



(Abbildung 6)

5) Verbinden Sie die Haube mit dem Aluminiumrohr. Führen Sie das biegsame Aluminiumrohr in den Kunststoffschacht ein und befestigen Sie es mit dem Kunststoffkabelhalter oder der Schelle, ohne es zu fest anzuziehen. Stecken Sie das andere Ende des Rohrs in die Abzugsöffnung an der Wand.

(Abbildung 5-6)



(Abbildung 7)

Bevor Sie die Haube mit dem Rohr verbinden, sollten Sie die Kunststoffklappen an der Produkluftaustrittsstelle kontrollieren. Betätigen Sie die Haube vor dem Anschluss an die Rohrleitung und vergewissern Sie sich, dass sich die Klappen korrekt nach oben bewegen und den Luftaustritt ermöglichen. Andernfalls müssen Sie die Richtung der Klappen ändern.

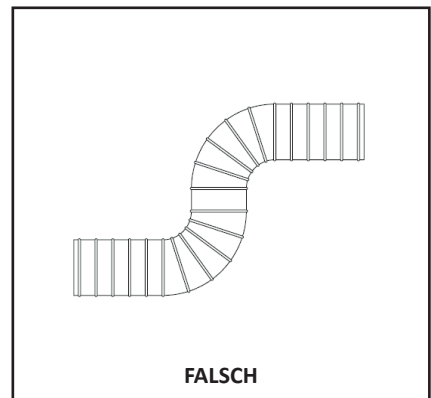
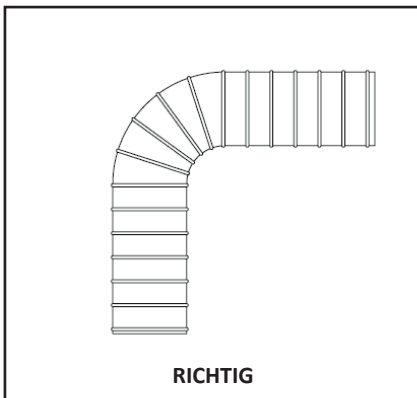
(Abbildung 7)

Ein zu starkes Anziehen des Kabelhalters oder der Schelle beim Herstellen des Rohranschlusses kann die Funktion der Klappen verhindern. Kontrollieren Sie daher vor dem Anschluss des Rohres an den Schornstein Ihres Hauses, ob die Haube ordnungsgemäß funktioniert, indem Sie sie bedienen.

So nutzen Sie Ihre Dunstabzugshaube effizient:

Beim Anschluss der Haube an den Schornstein sollten Sie ein Rohr mit einem Durchmesser von 120 mm und möglichst wenigen Bögen verwenden. Da Bögen und Krümmungen am Aluminiumrohr die Luftansaugleistung verringern, sollten Sie möglichst viele Bögen und Krümmungen vermeiden (**Abbildung 8**).

Achten Sie auf den regelmäßigen Einsatz der Aluminium-Patronenfilter und die Wechselzeiten der Kohlefilter.



(Abbildung 8)

BETRIEB UND BEDIENUNG DER DUNSTABZUGSHAUBE

Vor dem Einschalten der Dunstabzugshaube



Bevor Sie die Haube einschalten, vergewissern Sie sich, dass alle mechanischen und elektrischen Anschlüsse hergestellt sind.



Lassen Sie keine Fremdkörper im Inneren der Dunstabzugshaube zurück. Achten Sie darauf, dass sich kein Verpackungsmaterial um die Dunstabzugshaube herum befindet.

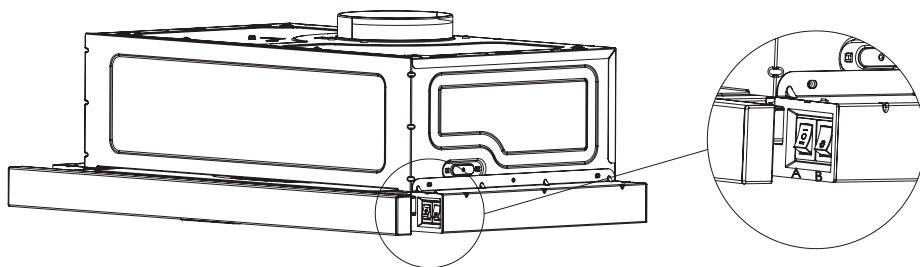


Achten Sie darauf, das blaue Schutzband an den Rändern des waschbaren Aluminium-Kassettenfilters auf der Dunstabzugshaube zu entfernen. Wenn dieses Schutzband nicht entfernt wird, besteht Verbrennungsgefahr, da es sich um ein nicht brennbares Material handelt, bitte vergessen Sie dies nicht.

Auswahl der Geschwindigkeit

Das Gerät verfügt über 2 Lüftungsstufen. Wählen Sie eine der Betriebsstufen niedrig (1. Zyklus) - hoch (2. Zyklus) je nach dem beim Kochen erzeugten Dampf. Lassen Sie die Dunstabzugshaube nach Beendigung des Garvorgangs noch eine Weile laufen, damit die restlichen Gerüche und Dämpfe absorbiert werden.

2-Gang-Wippschaltersteuerung




(Abbildung 9)


A- Zyklusschalter

B- Licht Ein / Aus Schalter


Um das Gerät in der ersten Geschwindigkeitsstufe zu betreiben, drehen Sie den Geschwindigkeitsschalter in die Position.

Abbildung 9/A 

Um das Gerät in der zweiten Geschwindigkeitsstufe zu betreiben, drehen Sie den Geschwindigkeitsschalter in die Position.

Abbildung 9/A 

Um die Lampe des Geräts einzuschalten, drehen Sie den Zyklusschalter in die Position zum Betätigen des Lampen-Ein-/Ausschalters.

Abbildung 9/B 

Funktionen des Geräts

Die Abzugshaube kann in Küchen mit oder ohne Abzug verwendet werden.

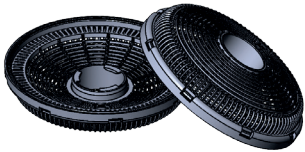
Für die Verwendung mit Abzug:

Bei der Verwendung mit Kaminanschluss muss die Haube an einen Kamin angeschlossen werden, um die Luft abzuführen. Für einen effizienten Einsatz Ihrer Haube sollten Sie den kürzesten Weg der Rohrleitung zum Kamin wählen und der Luftweg sollte offen sein.

Ihr Produkt ist ab Werk für die Verwendung mit einem Abzug geeignet.

WARNUNG: Die Abzugshaube sollte nicht an einen Luftkanal angeschlossen werden, in dem sich andere Raucher befinden.

Einsatz ohne Kamin;

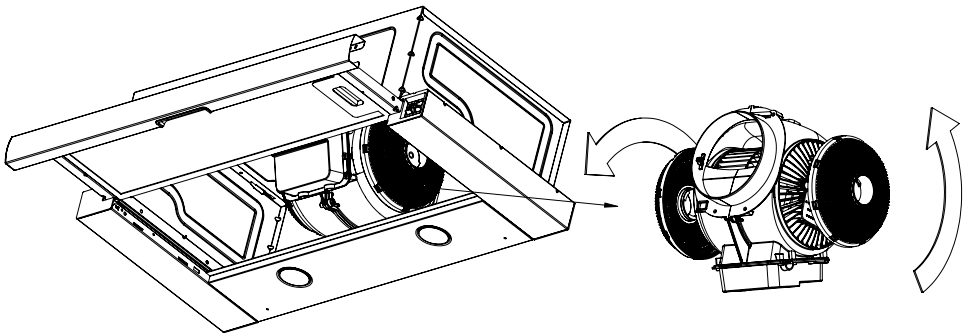


(Abbildung 10)

Aktivkohlefilter

In Umgebungen, in denen kein Kamin mit der Außenwelt verbunden ist, sollte ein Aktivkohlefilter verwendet werden, um den Geruch und die Luft im Inneren zu filtern und an die Innenumgebung zurückzugeben. Den Aktivkohlefilter müssen Sie von Ihrem autorisierten Kundendienst beziehen.

(Abbildung 10)



(Abbildung 11)

Aktivkohlefilteraustausch

Für das Produkt müssen 2 Kohlefilter verwendet werden.

Um den Aktivkohlefilter auszutauschen, richten Sie die Kanäle an der Motorabdeckung an den Laschen des Aktivkohlefilters aus und drehen ihn eine halbe Umdrehung im Uhrzeigersinn. Um ihn zu entfernen, drehen Sie ihn eine halbe Umdrehung gegen den Uhrzeigersinn.

(Abbildung 11)

REINIGUNG UND PFLEGE

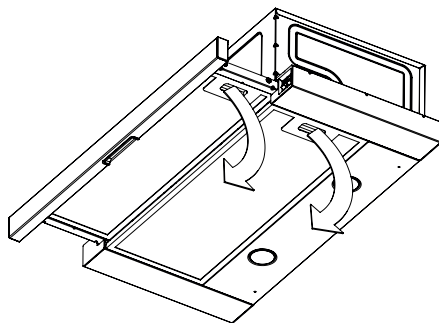
REINIGUNG

- Vor der Durchführung von Wartungs- und Reinigungsarbeiten muss das Netzkabel aus der Steckdose gezogen oder der Schalter, an dem die Dunstabzugshaube angeschlossen ist, ausgeschaltet werden.
- *Die Oberflächen der Dunstabzugshaube können mit einem Tuch, welches mit Seifenwasser befeuchtet ist, gewischt werden.
- Verwenden Sie keine ätzenden oder gefährlichen chemischen Stoffe.
- Achten Sie darauf, dass die elektronischen Teile nicht mit Wasser oder ähnliche Mitteln in Berührung kommen.
- Die Verwendung der auf dem Markt erhältlichen Reinigungs- und Pflegemittel für Produkte aus rostfreiem Stahlblech gewährleistet eine längere Lebensdauer Ihres Produkts.
- Aluminium-Kassettenfilter sind spülmaschinenfest.
- Je nach Nutzungsintensität sollte der Aluminiumkassettenfilter alle paar Monate (nach durchschnittlich 40 Betriebsstunden) mit heißem Seifenwasser oder, wenn möglich, nur in der Spülmaschine (maximal 60°C) gereinigt werden
- Nach dem Waschen kann sich die Farbe des Aluminiumkassettenfilters und seines Rahmens verändern. Dies ist normal und beeinträchtigt die Funktion der Filter nicht.
- Entfernen Sie den Aluminiumkassettenfilter, indem Sie auf den Federverschluss am Ende drücken. Lassen Sie es nach der Reinigung trocknen. Ersetzen Sie es nicht, bevor es trocken ist.

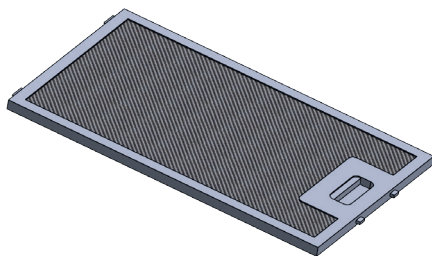
(Abbildung 12)

Waschbarer Aluminium-Kassettenfilter

*Wenn Sie Ihren Aluminiumkassettenfilter austauschen möchten, wenden Sie sich bitte an das nächstgelegene autorisierte Service-Zentrum und fordern Sie es an. Zu diesem Zweck müssen Sie die Modellnummer auf dem Typenschild Ihres Produkts angeben. Filter anderer Marken und Modelle, die auf dem Markt verkauft werden, sind mit Ihrem Produkt nicht kompatibel.

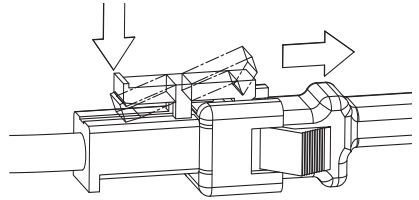
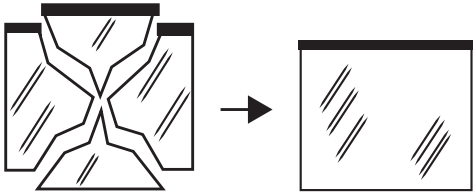


(Abbildung 12)



Allgemeine Informationen über Lampen und Lampenwechsel

Die Dunstabzugshaube verfügt über ein Beleuchtungssystem, das auf LED-Technologie basiert. LEDs sorgen für eine optimale Ausleuchtung und halten 10 Mal länger als normale Lampen. Sie bieten eine lebenslange Nutzungsdauer und 90% Energieeinsparung. Sollten Sie eine physische Verformung der Lampe der Dunstabzugshaube oder ein Problem mit ihrer Beleuchtung feststellen, wenden Sie sich bitte an den autorisierten Kundendienst.



(Abbildung 13)

1. Trennen Sie die Buchsen und Stecker der Lampen voneinander, indem Sie die Kunststoffflasche auf der Rückseite drücken, wie auf der linken Seite gezeigt, nachdem Sie den Verriegelungsmechanismus gelöst haben

(Abbildung 13)

Sollten Risse oder Brüche an der Lampenoberfläche auftreten, wenden Sie sich bitte an das autorisierte Service-Zentrum, um die Lampe auszutauschen.

Wenn die Lampen ersetzt werden müssen, überprüfen Sie bitte die folgenden Informationen und ersetzen Sie sie durch eine Alternative, die diesen Spezifikationen entspricht.

-ILCOS D-Code: DBR-I-H (ILCOS D-Code gemäß IEC 61231-Norm)

-LED-Modul - Transluzenter Kunststoff

-Nennleistung jeder Lampe; 1W

-Maximale Lampenleistung für einen möglichen Ersatz; 2 x 1W

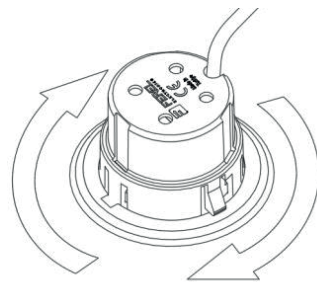
-Spannungsbereich der Lampe; 220 - 240V

-Produktabmessungen; Durchmesser: 35,8 mm / Höhe: 30 mm

Falls erforderlich, können Sie neue Lampen von Ihrem Servicecenter beziehen.

Auswechseln der Leuchtmittel

Ziehen Sie vor dem Auswechseln der Lampen den Netzstecker der Dunstabzugshaube aus der Steckdose. Entfernen Sie dann den Aluminiumkassettenfilter, indem Sie die Windschutzscheibe nach oben anheben. Danach;



(Abbildung 14)

2. Halten Sie die Lampe am Gehäuse fest und drehen Sie die beiden Haltezungen an der Lampe im oder gegen den Uhrzeigersinn, so dass sie mit den Aussparungen an der Beleuchtungsplatte übereinstimmen. Nachdem Sie die Haltetaschen mit den Aussparungen in Übereinstimmung gebracht haben, halten Sie die Lampe am Lampenkörper fest und lassen sie herausfallen.

(Abbildung 14)

SERVICE, ERSATZTEIL UND GARANTIE

Dinge, die der Kunde im Zusammenhang mit der Garantie beachten sollte;

Bewahren Sie den Garantieschein für das Produkt auf. Wenn der Garantieschein nicht vorgelegt werden kann, wird das Produkt außerhalb der Garantie behandelt. Zusatzelemente und Zubehör, die zusammen mit dem Produkt erworben werden, sind von der Produktgarantie ausgeschlossen. Die im Benutzerhandbuch angegebenen Materialien, die im Laufe der Zeit und je nach Gebrauch ersetzt werden müssen, sind von der Garantie ausgeschlossen.

Die folgenden Bedingungen sind von der Garantie ausgeschlossen:

1. Schäden und Funktionsstörungen, die durch die Installation des Produkts entgegen den Angaben in der Bedienungsanleitung und durch Bedienungsfehler verursacht werden,
2. Schäden und Störungen während des Be- und Entladens und des Transports nach der Lieferung des Produkts an den Kunden,
3. Unter- oder Überspannung; fehlerhafte Elektroinstallation; Schäden und Funktionsstörungen, die durch die Verwendung des Produkts bei einer anderen als der auf dem Typenschild angegebenen Spannung entstehen,
4. Schäden und Funktionsstörungen, die durch Feuer und/oder Blitzschlag verursacht werden,
5. Fehlfunktionen, die sich aus der Verwendung des Produkts entgegen den Hinweisen in der Bedienungsanleitung ergeben, auf die der Benutzer achten sollte.
6. Glasbruch
7. Fehler, die durch nicht autorisierte Personen verursacht werden, die in das Gerät eingreifen oder versuchen, es zu reparieren.
8. Probleme, die durch den Einbau von Teilen entstehen, die nicht vom Hersteller geliefert wurden.

Die Verantwortung für die Fertigstellung des Garantiescheins und dessen Aushändigung an den Verbraucher liegt beim Verkäufer, Händler, der Agentur oder den Vertretungen, bei denen der Verbraucher die Ware gekauft hat. Diese Garantie ist ungültig, wenn der Garantieschein gefälscht, die Original-Seriennummer auf dem Produkt entfernt oder unleserlich gemacht wurde.

Die in den Dunstabzugshauben verwendeten Aluminiumfilter müssen in der in der Bedienungsanleitung angegebenen Zeit und Weise gereinigt werden. Durch den Gebrauch kann es mit der Zeit zu Schwärzungen und Verfärbungen auf den Filtern kommen. Derartige Erscheinungen sind normal und beeinträchtigen nicht die Funktion des Geräts und fallen nicht unter die Garantie. Wenn die in der Bedienungsanleitung angegebenen Warnhinweise bei Produkten aus rostfreiem Stahl nicht beachtet werden, kann es zu Schwärzungen, Oxidationen und Schwankungen auf der Oberfläche kommen. Solche Fälle sind nicht von der Garantie abgedeckt.

Warnhinweise zu Transport und Handhabung

- Achten Sie während des Transports auf die Kennzeichnung des Pakets.

Falls Sie einen Transport benötigen;

- Bewahren Sie die Originalverpackung auf.
- Transportieren Sie das Gerät in der Originalverpackung und beachten Sie die Transporthinweise auf der Verpackung.

Wenn die Originalverpackung fehlt;

- Stellen Sie keine schweren Gegenstände auf die Haube.

KUNDENDIENST:

Bitte wenden Sie sich an den Hersteller, um die nächstgelegene autorisierte Kundendienststelle zu erfahren.

Wir bitten Sie, die folgenden Vorsichtsmaßnahmen zu beachten.

1. Lassen Sie den Garantieschein bei Erhalt Ihres Produkts von Ihrem Vertragshändler abnehmen.
2. Wenn Sie eine Serviceanfrage für Ihr Produkt haben, können Sie die Verbraucher-Hotline anrufen.
3. Bitten Sie den Servicetechniker um die "Techniker-ID-Karte".
4. Vergessen Sie nicht, den Servicetechniker um eine "Service-Quittung" zu bitten, wenn Sie fertig sind. Die Service-Quittung, die Sie erhalten, hilft Ihnen, falls in Zukunft Probleme mit Ihrem Produkt auftreten sollten.
5. Lebensdauer: 10 Jahre. Während dieses Zeitraums garantiert der Hersteller die Verfügbarkeit der notwendigen Ersatzteile.

Wenn die Dunstabzugshaube nicht funktioniert:**Bevor Sie sich an den Kundendienst wenden:**

Vergewissern Sie sich, dass der Stecker in der Steckdose steckt und dass die elektrische Sicherung der Anlage intakt ist.

Führen Sie keine Arbeiten aus, die das Produkt beschädigen könnten.

Überprüfen Sie Ihre Dunstabzugshaube gemäß Tabelle 1, bevor Sie sich an den Kundendienst wenden.

Wenn das Problem weiterhin besteht, wenden Sie sich an das nächstgelegene autorisierte Servicezentrum.

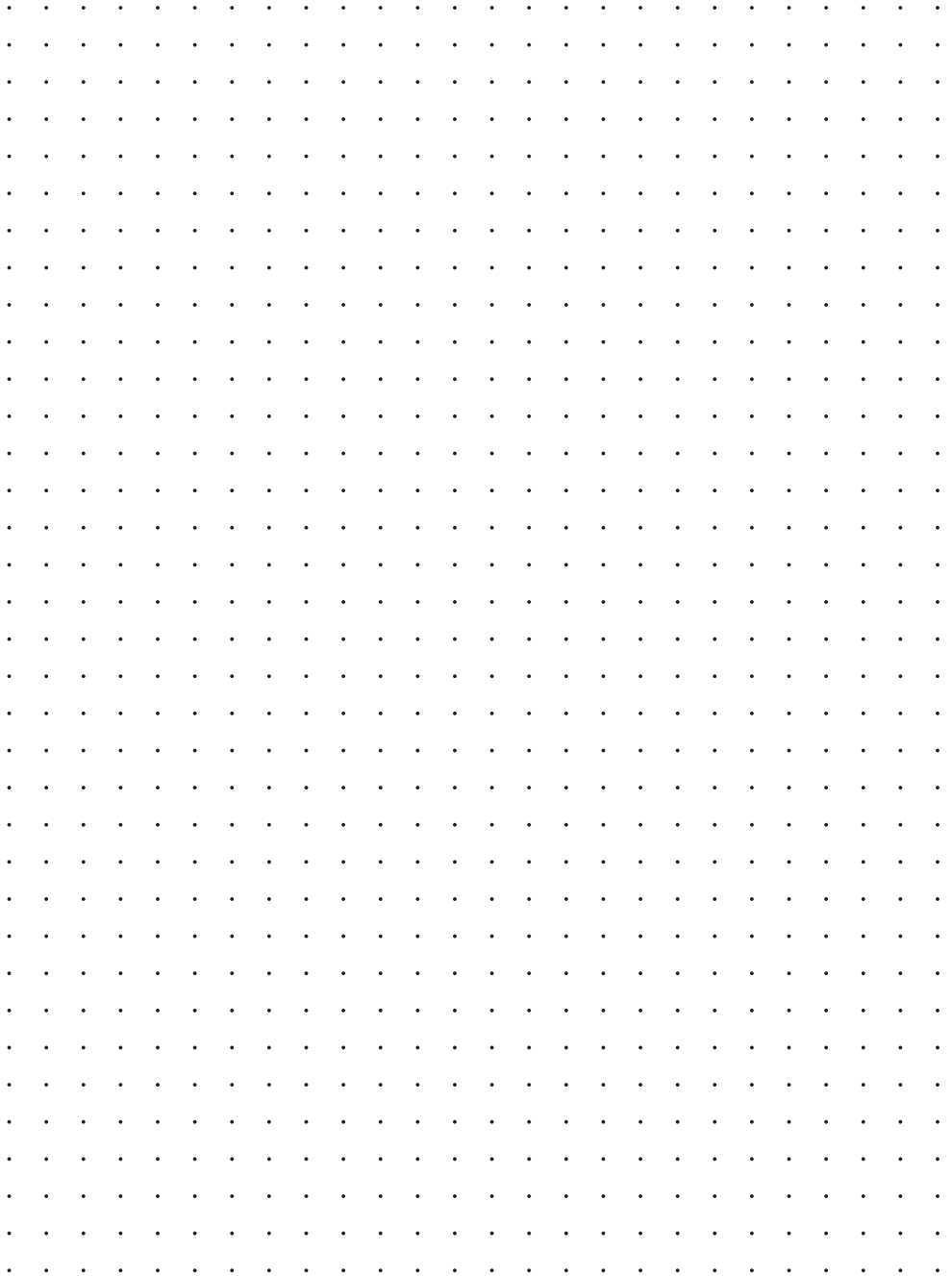
Service und Ersatzteile:

Falls erforderlich, können Sie Ersatzteile für Ihr Produkt von Ihrem autorisierten Service-Center erhalten. Wenn Sie sich an Ihr Servicezentrum oder Ihren Händler wenden, geben Sie bitte die Modellbezeichnung des Produkts an, die Sie auf dem Produktetikett sehen können, um Ersatzteile anzufordern. Sie können das Produktetikett sehen, wenn Sie den Aluminiumkassettenfilter entfernen.

PROBLEM	URSACHE	LÖSUNGSMETHODE
Das Gerät funktioniert nicht.	Möglicherweise ist der Stecker nicht	Vergewissern Sie sich, dass der Stecker in die Steckdose eingesteckt ist.
	Möglicherweise wurde die Ein/Aus-Taste nicht gedrückt.	Drücken Sie die Taste Ein/Aus.
Die Beleuchtung funktioniert nicht.	Möglicherweise ist der Stecker nicht eingesteckt.	Vergewissern Sie sich, dass der Stecker eingesteckt ist.
	Der Produktschalter funktioniert möglicherweise nicht.	Überprüfen Sie den Schalter.
	Die Lampe ist möglicherweise defekt.	Tauschen Sie die Lampe aus.
Die Leistung des Geräts ist unzureichend oder es macht beim Betrieb ein lautes Geräusch.	Wenn Sie die Dunstabzugshaube ohne Schornstein verwenden, sind die Kohlefilter möglicherweise älter als 4 Monate.	Ersetzen Sie die Kohlefilter durch neue.
	Möglicherweise strömt nicht genügend Frischluft in Ihre Küche, um den Luftstrom zu gewährleisten.	Umgebung zu belüften, öffnen Sie das Küchenfenster.
	Der Luftauslass kann teilweise oder vollständig blockiert sein.	Prüfen Sie, ob der Luftauslass offen ist.

(Tabelle 1)

Wenn Sie das Problem trotz Befolgung der Anweisungen in diesem Abschnitt nicht lösen können, wenden Sie sich bitte an das nächstgelegene autorisierte Service-Center oder holen Sie sich Unterstützung bei unserem Call-Center.



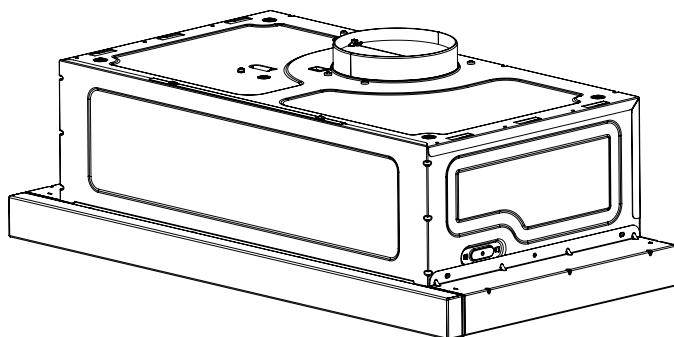
Es entspricht den AEEE-Richtlinien.

Wenn Sie Beschwerden haben, können Sie diese bei Verbrauchergerichten und Verbraucherschlichtungsstellen vorbringen.

Hagen

CAPPA TELESCOPICA

[IT] MANUALE DI SICUREZZA, INSTALLAZIONE E
FUNZIONAMENTO



CE

IMPORTANTI ISTRUZIONI DI SICUREZZA
LEGGERE ATTENTAMENTE E CONSERVARE PER RIFERIMENTO FUTURO

Leggere prima di tutto questo manuale!

Gentile cliente,

La preghiamo di leggere attentamente il presente manuale prima di utilizzare il prodotto e di conservarlo come riferimento. Se si cede il prodotto a un'altra persona, consegnare anche il manuale.




Il produttore non si assume alcuna responsabilità per eventuali danni o incendi causati da possibili problemi derivanti dalla mancata osservanza delle istruzioni riportate nel presente manuale.

Per qualsiasi domanda, rivolgersi al centro di assistenza autorizzato.

Le istruzioni per l'uso aiutano a utilizzare il prodotto in modo corretto e sicuro.

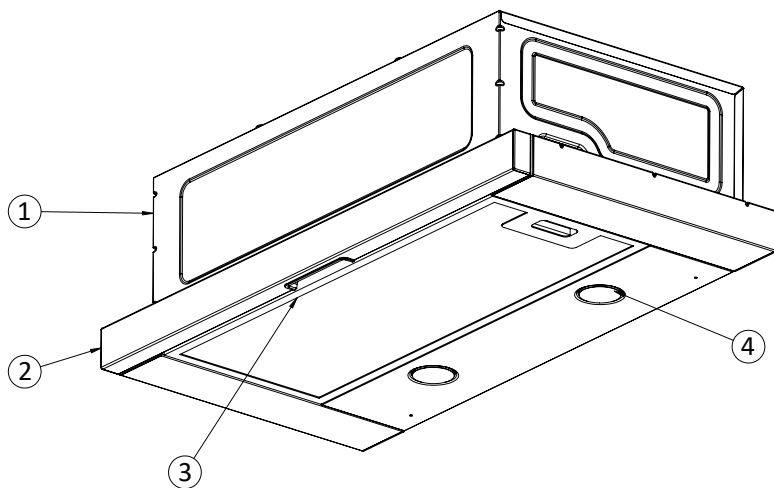
- Leggere le istruzioni per l'uso prima di mettere in funzione il prodotto.
- Attenersi scrupolosamente alle istruzioni di sicurezza.
- Conservare le istruzioni per l'uso in un luogo a portata di mano per ogni eventuale necessità.
- Leggere anche gli altri documenti forniti con il prodotto.

Ricordare che le presenti istruzioni per l'uso possono valere anche per altre versioni. Possono esserci differenze tra le versioni a causa dei diversi produttori, ma le condizioni di pulizia e manutenzione sono le stesse.

Simbolo	Significato
	AVVISO - ATTENZIONE
	PERICOLO DI SCOSSE ELETTRICHE
	PERICOLO DI INCENDIO

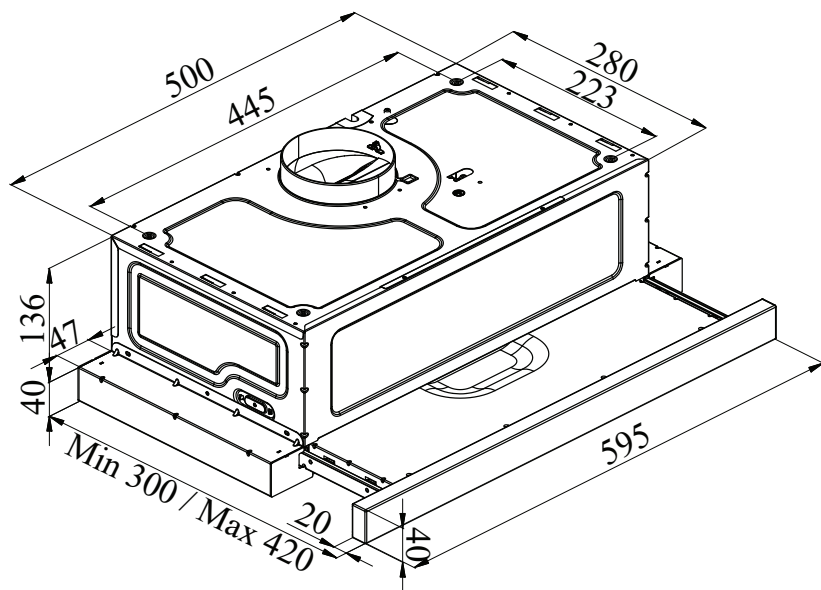
SPECIFICHE TECNICHE DELL'APPARECCHIATURA.....	4
AVVERTENZE E PRECAUZIONI DI SICUREZZA	7
INSTALLAZIONE E ACCESSORI	12
FUNZIONAMENTO E UTILIZZO DELLA CAPPA.....	16
PULIZIA E MANUTENZIONE	18
ASSISTENZA, RICAMBI E GARANZIA.....	20

SPECIFICHE TECNICHE DELL'APPARECCHIATURA



(Figura 1)

1. Corpo
2. Pannello frontale
3. Filtro
4. Illuminazione



(Figura 2)

SPECIFICHE TECNICHE

Codice prodotto	D008.60.XXX.XX.Z007
Tensione e frequenza	220-240Vac 50Hz
Potenza totale del prodotto	Min. 2W- Max. 102W
Potenza del motore	100W
Potenza della lampada	2 x 1W
Pannello di controllo	2 Velocità
Diametro del raccordo di uscita dell'aria	120mm
Larghezza del prodotto	595 mm
Profondità del prodotto	300 mm
Altezza del prodotto	176mm

AVVERTENZE E PRECAUZIONI DI SICUREZZA



Questo prodotto è progettato per uso domestico come versione per l'espulsione o il filtraggio dell'aria. Non è progettato per funzionare all'aperto.



Questo prodotto può essere utilizzato da bambini di età superiore agli 8 anni e da persone con capacità fisiche, percettive o mentali limitate solo se tenuti sotto controllo o se vengono fornite loro istruzioni per l'uso sicuro del prodotto e se sono ben consapevoli dei rischi ad esso correlati. I bambini non devono giocare con il prodotto. Se non hanno più di 8 anni e sono sotto supervisione, la pulizia e la manutenzione del prodotto non devono essere eseguite dai bambini. Tenere il prodotto e il suo cavo in un luogo fuori dalla portata dei bambini di età inferiore agli 8 anni.



Quando la cappa elettrica viene utilizzata contemporaneamente ad altre apparecchiature che utilizzano gas o altri combustibili, il locale deve essere ben ventilato (potrebbe non essere applicabile per le apparecchiature che si limitano a ricircolare l'aria nel locale).



Conservare i materiali di imballaggio in luoghi fuori dalla portata dei bambini o distruggerli. L'accesso ai materiali di imballaggio da parte dei bambini può comportare conseguenze pericolose.



A meno che non vi sia una supervisione e una gestione dell'uso del prodotto da parte di una persona responsabile della sicurezza del prodotto stesso, questo prodotto non è destinato ad essere utilizzato da persone (compresi i bambini) che hanno limitate capacità fisiche, sensoriali e metalliche o che mancano di esperienza e conoscenza.



Assicurarsi che la spina sia facilmente accessibile per poterla spegnere in caso di rischio.



I prodotti elettrici sono pericolosi per i bambini. Quando l'apparecchiatura è in funzione, tenere i bambini lontani dalle apparecchiature elettriche. Non permettere ai bambini di giocare con l'apparecchiatura.



I valori di rete devono corrispondere a quelli indicati nella targhetta della cappa. Sollevare il coperchio di vetro e rimuovere il filtro per accedere alla targhetta.



Utilizzare il fusibile “Maximum 6A” nell’impianto di alimentazione a cui è collegata la cappa, sia per la propria sicurezza che per quella del prodotto.



Durante l’installazione, il cavo di alimentazione non deve essere sottoposto a compressione o schiacciamento. Se il cavo di alimentazione è danneggiato, deve essere sostituito da un centro di assistenza autorizzato o da un elettricista qualificato. Questo vale anche per eventuali danni futuri del cavo di alimentazione.



Il prodotto deve essere collegato alla rete elettrica solo da un elettricista autorizzato e qualificato. La garanzia del prodotto inizia solo dopo la sua corretta installazione.



Non collegare il prodotto prima di averlo fissato alla parete.



La spina con messa a terra è installata sul cavo di alimentazione del prodotto. Questo cavo deve essere assolutamente inserito in una presa con messa a terra.



Prima di procedere alla pulizia e alla manutenzione, scollegare l’alimentazione del prodotto. (Per la disconnessione, rimuovere la spina del prodotto dalla presa).



Il mancato fissaggio delle viti o degli elementi di fissaggio secondo le istruzioni può comportare rischi elettrici.



Al termine dell’installazione del prodotto, lasciare una distanza di 60 cm tra il prodotto e le cucine elettriche o di almeno 65 cm tra il prodotto e le cucine a gas o ad altri combustibili. Se nelle istruzioni di installazione delle cucine a gas è indicata una distanza maggiore, è necessario attenersi a tali istruzioni.



Quando la cappa viene utilizzata insieme alle apparecchiature di cottura, le parti accessibili possono essere riscaldate.



Gli alimenti infiammabili non devono essere cucinati sotto la cappa.



La fiamma nuda è molto dannosa per la cappa e può comportare un rischio di incendio; è quindi opportuno evitarla.



In caso di fiamme, scollegare l'alimentazione della cappa e dell'apparecchiatura di cottura (scollegare l'alimentazione togliendo la spina del prodotto dalla presa).



Azionare la cappa dopo aver posizionato pentole, padelle o recipienti di cottura sulla gamma. In caso contrario, il calore elevato potrebbe causare la deformazione del prodotto.



Spegnere il forno prima di togliere i recipienti di cottura, come pentole o padelle, dal forno.



Non lasciare i contenitori di cottura, come pentole o padelle, sul fornello quando contengono olio caldo. I contenitori di cottura contenenti olio caldo possono provocare un'autocombustione. Fare attenzione soprattutto quando si frigge. Fare attenzione alle tende e alle coperture in tessuto a causa del carattere facilmente infiammabile dell'olio.



Gli oli che si accumulano sui filtri, che non vengono puliti e/o sostituiti, causano tempestivamente un rischio di incendio.



Se la pulizia non viene eseguita periodicamente e con metodi corretti, il prodotto potrebbe essere a rischio di incendio. È necessario pulire l'interno e l'esterno della cappa rispettando le istruzioni di manutenzione (almeno una volta al mese).



Non utilizzare materiali filtranti non resistenti al calore e alle fiamme al posto del filtro esistente sul prodotto. Non utilizzare il prodotto senza filtro.



Il cavo di alimentazione non deve passare vicino alle gamme perché potrebbe fondersi e provocare incendi in quanto esposto a temperature elevate.



Se si utilizzano le lampade del prodotto per lungo tempo, non toccarle. Le lampade possono bruciare la mano perché sono ancora calde.



A meno che non sia specificatamente indicato, non utilizzare mai la cappa come superficie di appoggio. Non appoggiare alcun peso su di essa.



Per l'installazione, utilizzare le viti fornite con il prodotto o, in mancanza di queste, acquistarne di tipo adeguato. Per l'installazione, utilizzare viti di diametro e altezza corretti, come specificato nel manuale.



È necessario osservare le norme relative allo scarico dell'aria in uscita.



L'aria non deve mai essere espulsa nella canna fumaria destinata allo scarico dei fumi emessi dalle apparecchiature che utilizzano gas o altri combustibili verso l'esterno (non può essere applicata alle apparecchiature che si limitano a ricircolare l'aria nel locale). La canna fumaria della cappa deve essere destinata esclusivamente alla cappa stessa. Non deve essere utilizzata con apparecchiature comuni.



L'uscita della cappa non deve essere collegata ai condotti dell'aria in cui si trovano le canne fumarie di altri tipi di apparecchiature.



Quando si collega la cappa alla canna fumaria, utilizzare un tubo di diametro pari a 120 mm. Per ottenere buone prestazioni, il collegamento del tubo deve essere il più corto possibile, liscio e con un minimo di curve.



Il tubo di scarico non viene fornito con il prodotto. Deve essere acquistato separatamente. Il diametro del tubo di scarico deve essere uguale al diametro dell'anello di collegamento.




Poiché la cappa espelle l'aria del locale verso l'esterno, le altre apparecchiature che funzionano con l'aria possono risentirne. Per questo motivo, quando la cappa è in funzione, è necessario consentire l'ingresso di aria fresca nell'abitazione.



In caso di utilizzo del filtro a carboni attivi senza collegamento alla canna fumaria, non lavare mai i filtri a carboni attivi. A seconda della frequenza di utilizzo del filtro, si consiglia di sostituirlo in media ogni 2-4 mesi. Quando si desidera sostituirlo, rivolgersi al centro di assistenza autorizzato.

Questa apparecchiatura è commercializzata in conformità alla Direttiva europea 2012/19/CE sui rifiuti elettrici ed elettronici. Se si provvede a smaltire correttamente questo prodotto, si eviteranno gli effetti negativi per la salute umana che potrebbero derivare da un trattamento improprio del prodotto.



Il simbolo  utilizzato sul prodotto stesso o sui documenti forniti insieme al prodotto indica che questa apparecchiatura non deve essere considerata un rifiuto domestico. L'apparecchiatura deve essere consegnata al sito di raccolta dei prodotti riciclabili dove viene smaltito questo tipo di apparecchiature elettriche ed elettroniche. Lo smaltimento dei rifiuti deve essere effettuato in conformità alle normative ambientali locali vigenti in materia di smaltimento. Per informazioni dettagliate sulle condizioni di riciclaggio di questo prodotto, consultare l'ufficio competente del comune, il servizio di trattamento dei rifiuti o il rivenditore del prodotto.

INSTALLAZIONE E ACCESSORI

Prima di disimballare il prodotto:

Assicurarsi che l'installazione elettrica sia corretta. Se non si è sicuri, chiamare un elettricista qualificato e fare in modo che esegua le disposizioni necessarie.

La preparazione del sito di installazione e dell'impianto elettrico è responsabilità del cliente.

Per l'installazione del prodotto, è necessario osservare le regole relative all'alimentazione specificate dalle norme locali.

Controllare se il prodotto presenta danni prima di installarlo. Se il prodotto è difettoso, non installarlo. In caso contrario, il prodotto difettoso potrebbe rappresentare un rischio per la sicurezza.



Per un funzionamento sicuro del prodotto, la stanza deve essere ben ventilata.

Se non c'è una finestra per la ventilazione della stanza, è necessario prevedere una ventilazione supplementare (bocchetta sul vetro della finestra, ecc.). Se in cucina è presente una presa d'aria, non bloccarla mai. Controllare le condizioni degli altri materiali contenuti nella cappa (ad es. accessori per l'installazione, manuale d'uso) nella scatola di cartone, rimuoverli e conservarli in un luogo separato. Non tenerli mai nella cappa.

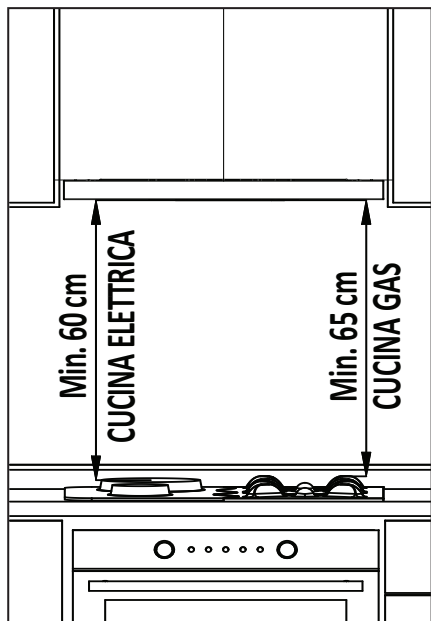
Non installare il prodotto su superfici come piastrelle, lucidi o silicone. Fissarlo solo alla parete.



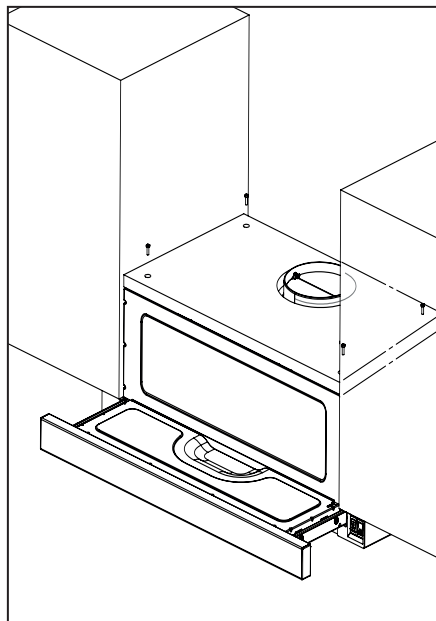
Non permettere ai bambini di giocare con i materiali di imballaggio!

INSTALLAZIONE DELLA CAPPA

Per installare il prodotto, seguire il seguente ordine di operazioni.



(Figura 3)



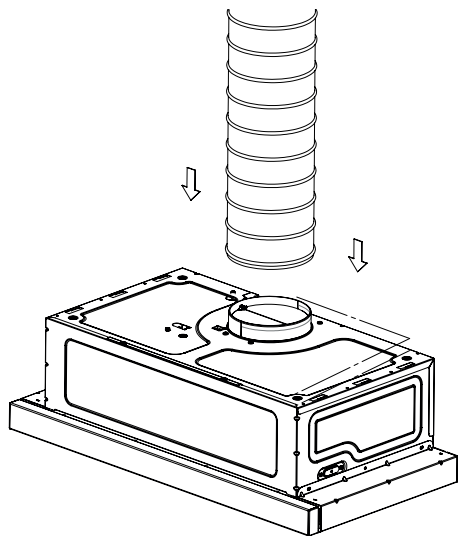
(Figura 4)

Posizione del prodotto:

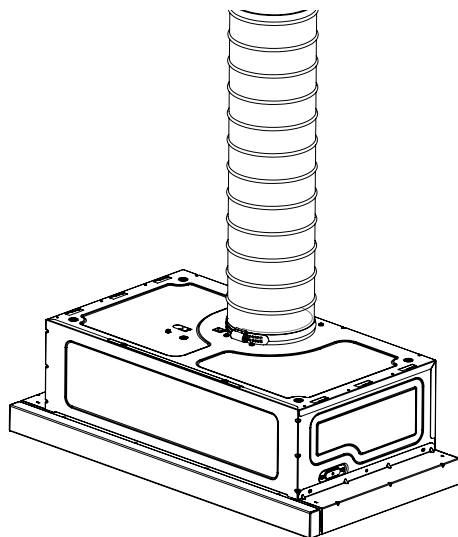
Una volta completata l'installazione del prodotto, deve esserci uno spazio libero di 60 cm tra il prodotto e le cucine elettriche e di 65 cm tra il prodotto e le cucine a gas o ad altri combustibili.

(Figura 3)

1) Applicare la dima di montaggio situata accanto all'attrezzatura di montaggio all'interno della scatola del prodotto sulla superficie su cui verrà montato il prodotto. (Figura 4)



(Figura 5)



(Figura 6)

2) Eseguire i fori di \varnothing 4 mm nei punti contrassegnati da A, B, C, D sulla dima di montaggio.

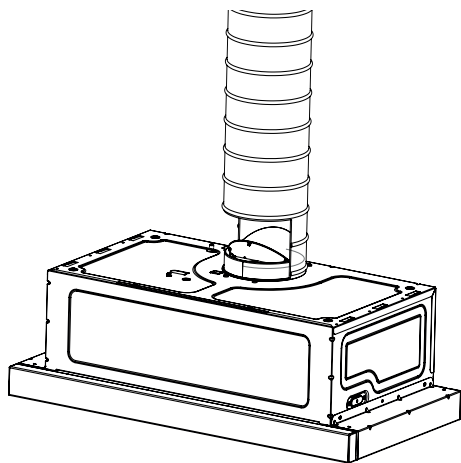
3) Praticare il foro di uscita del camino specificato nella dima di montaggio nella misura indicata.

4) Il prodotto viene montato sull'armadio dai punti A, B, C, D utilizzando le viti 4,8x50 fornite con il dispositivo. Quando il set di guide si muove, il pannello frontale non deve sfregare contro la porta dell'armadio.

(Figura 4)

5) Collegare la cappa con il tubo di alluminio. Far passare il tubo flessibile di alluminio nella canna fumaria di plastica e fissarlo con il portacavo o il morsetto di plastica senza stringere troppo. Inserire l'altra estremità del tubo nel foro della canna fumaria sulla parete.

(Figura 5-6)



(Figura 7)

Prima di collegare la cappa al tubo, è necessario controllare le alette di plastica nel punto di uscita dell'aria dal prodotto. Prima di effettuare il collegamento al tubo, azionare la cappa e verificare che le alette si muovano correttamente verso l'alto e consentano l'uscita dell'aria. In caso contrario, cambiare la direzione delle alette.

(Figura 7)

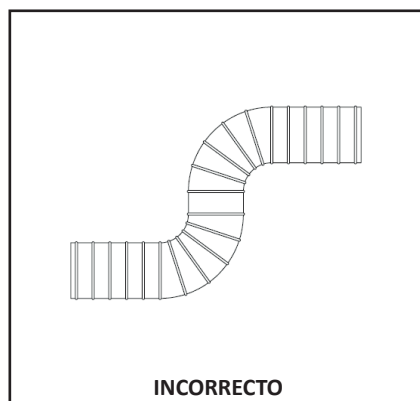
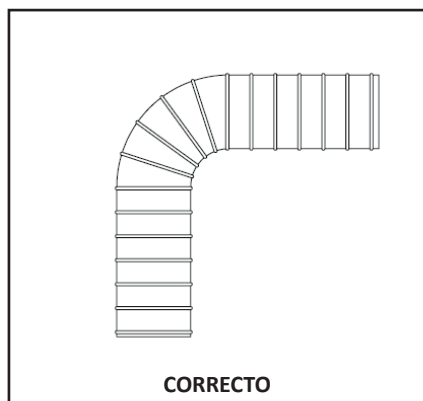
Un serraggio eccessivo del portacavo o del morsetto durante il collegamento del tubo può impedire il funzionamento degli sportelli. Prima di collegare il tubo alla canna fumaria della vostra abitazione, controllate quindi se la cappa funziona correttamente mettendola in funzione.

Per utilizzare la cappa in modo efficiente:

Quando si collega la cappa alla canna fumaria, utilizzare un tubo di diametro pari a 120 mm e un numero minimo di curve, per quanto possibile. Poiché le curve e i gomiti sul tubo di alluminio causano una riduzione della potenza di aspirazione dell'aria, si consiglia di evitare il più possibile l'uso di un numero elevato di curve e gomiti.

(Figura 8)

Prestare attenzione all'uso regolare dei filtri a cartuccia in alluminio e ai tempi di sostituzione dei filtri a carbone.



(Figura 8)

FUNZIONAMENTO E UTILIZZO DELLA CAPPA

Prima di mettere in funzione la cappa



Prima di mettere in funzione la cappa, accertarsi che tutti i collegamenti meccanici ed elettrici siano stati completati.



Non lasciare alcun materiale estraneo all'interno della cappa. Assicurarsi che non vi sia materiale di imballaggio intorno alla cappa.

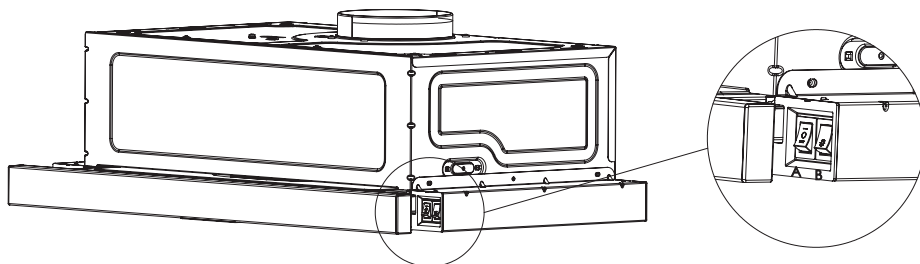


Assicurarsi di rimuovere la fascia di protezione blu ai bordi del filtro a cartuccia in alluminio lavabile della cappa. Ricordare che se non si rimuove la fascia protettiva, si corre il rischio di bruciature, poiché il filtro non è infiammabile.

Selezione della velocità

L'apparecchio dispone di 2 livelli di ventilazione. Selezionare uno dei livelli di funzionamento basso (1° ciclo) - alto (2° ciclo) in base al vapore generato durante la cottura. Al termine del processo di cottura, lasciare la cappa in funzione per un po', in modo da assorbire gli odori e i vapori residui.

Interruttore a bilanciere a 2 velocità



(Figura 9)

A - Interruttore del ciclo

B - Interruttore di accensione/spengimento della luce

Per far funzionare l'apparecchio nella prima fase di velocità, ruotare l'interruttore di velocità in posizione.

Figura 9/A 

Per far funzionare l'apparecchio nel secondo stadio di velocità, ruotare l'interruttore di velocità in posizione.

Figura 9/A 

Per accendere la lampada del dispositivo, ruotare l'interruttore del ciclo sulla posizione per azionare l'interruttore di accensione/spengimento della lampada.

Figura 9/B 

Funzioni dell'apparecchiatura

La cappa può essere utilizzata in cucine con o senza canna fumaria.

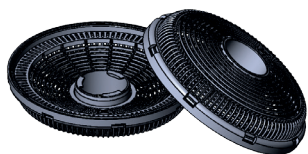
Per l'uso con canna fumaria:

In caso di utilizzo con canna fumaria, la cappa deve essere collegata a una canna fumaria per lo scarico dell'aria. Per un uso efficiente della cappa, è necessario seguire il percorso più breve delle tubazioni verso la canna fumaria e il condotto d'aria deve essere aperto.

Il prodotto viene consegnato dalla fabbrica come adatto all'uso con la canna fumaria.

ATTENZIONE: La cappa non deve essere collegata a canali d'aria in cui sono presenti altri fumi.

Da utilizzare senza canna fumaria;

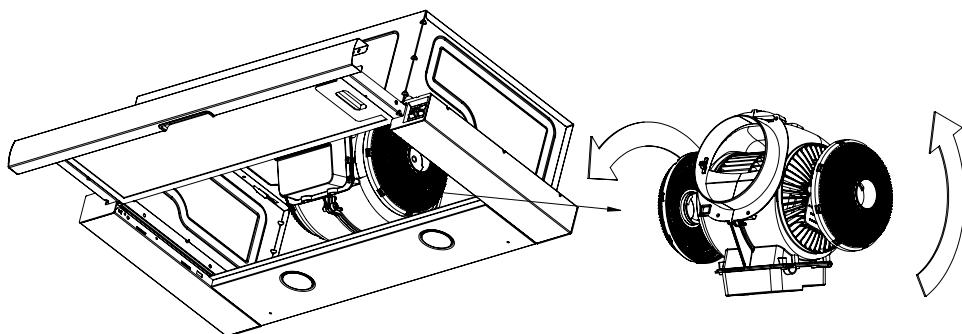


(Figura 10)

Filtro a carboni attivi

Nei luoghi privi di tubi di collegamento con l'esterno, è necessario utilizzare un filtro a carboni attivi per filtrare e ricircolare l'aria nel locale. Il filtro a carboni attivi deve essere acquistato presso un centro di assistenza autorizzato.

(Figura 10)



(Figura 11)

Sostituzione del filtro a carbone attivo

È necessario utilizzare 2 filtri al carbone sul prodotto.

Per posizionare il filtro al carbone, i canali sul coperchio del motore devono essere allineati con le alette del filtro e ruotarlo di mezzo giro in senso orario. Per rimuoverlo, occorre ruotarlo di mezzo giro in senso antiorario.

(Figura 11)

PULIZIA E MANUTENZIONE

Pulizia

Prima delle operazioni di manutenzione e pulizia, è necessario togliere il cavo di alimentazione dalla presa o spegnere la cappa.

-Le superfici esterne della cappa devono essere pulite con un panno inumidito con acqua e sapone.

- Non utilizzare materiali chimici corrosivi e pericolosi.

-Fare attenzione che l'acqua o sostanze simili non entrino in contatto con i componenti elettronici.

-Per i prodotti realizzati in lamiera inossidabile, l'uso di prodotti per la manutenzione e la pulizia disponibili in commercio per i prodotti inossidabili garantirà una maggiore durata del prodotto.

-I filtri a cartuccia in alluminio sono lavabili in lavastoviglie.

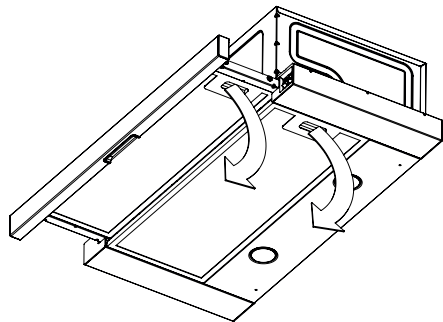
-I filtri a cartuccia in alluminio devono essere lavati una volta ogni diversi mesi (in media dopo 40 ore di funzionamento), a seconda della frequenza di utilizzo, con acqua calda e sapone o, se possibile, singolarmente in lavastoviglie (massimo 60°C).

-Dopo il lavaggio, il filtro a cartuccia in alluminio e il suo telaio possono scolorire. Questo è normale e non influisce sul funzionamento dei filtri.

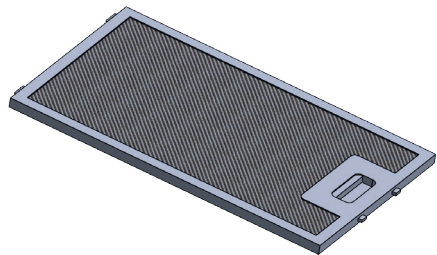
-Rimuovere il filtro a cartuccia in alluminio spingendo il fermo a molla all'estremità.

Dopo la pulizia, lasciarlo asciugare. Non riporre il filtro in un luogo diverso prima che si sia asciugato.

(Figura 12)



(Figura 12)



Filtri a cassetta in alluminio lavabili

*Se si desidera sostituire il filtro a cartuccia in alluminio, rivolgersi al centro di assistenza autorizzato più vicino. A tale scopo, è necessario indicare il numero di versione riportato sulla targhetta del prodotto. I filtri di altre marche e versioni disponibili in commercio non sono compatibili con il prodotto.

Informazioni generali sulle lampade e sulla loro sostituzione

Hood è dotato di un sistema di illuminazione a LED.

Rispetto all'illuminazione ideale e alle normali lampade, i LED garantiscono una durata di servizio 10 volte superiore, con un risparmio energetico fino al 90%.

Se si riscontrano deformazioni fisiche della lampada della cappa o problemi di illuminazione, contattare il centro di assistenza autorizzato.



(Figura 13)

In caso di crepe o rotture sulla superficie della lampada, contattare il centro di assistenza autorizzato e sostituirla.

Se è necessario sostituire le lampade, verificare le seguenti informazioni e sostituirla con un'alternativa che abbia le stesse caratteristiche tecniche.

- Codice ILCOS D: DBR-1-H (codice ILCOS d secondo lo standard IEC 61231)
- Modulo LED - plastica semitrasparente
- Potenza nominale di ciascuna lampada: 1W
- Potenza massima potenziale della lampada per la sostituzione: 2 x 1W
- Intervallo di tensione della lampada: 220 - 240V
- Dimensioni del prodotto: diametro: 35,8 mm / altezza: 30 mm

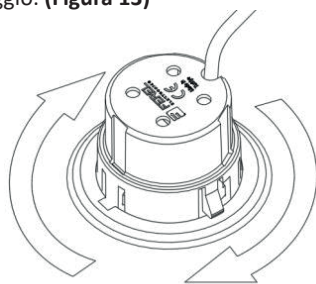
Se necessario, è possibile acquistare nuove lampade presso il centro di assistenza autorizzato.

Sostituzione delle lampade

Prima di sostituire le lampade, rimuovere il cavo di alimentazione della cappa. Quindi sollevare il vetro anteriore verso l'alto e rimuovere il filtro a cartuccia in alluminio.

Successivamente, rimuovere il filtro a cartuccia in alluminio:

1. Scollegare i connettori maschio e femmina delle lampade spingendo all'indietro una parte dell'aletta di plastica, come mostrato nella Figura a sinistra, per sbloccare il meccanismo di bloccaggio. (Figura 13)



(Figura 14)

2. Tenere la lampada sul suo corpo e ruotare le 2 alette di fissaggio sulla lampada in senso orario o antiorario per farle coincidere con le fessure del pannello di illuminazione. Dopo aver allineato le alette di fissaggio con le fessure, tenere la lampada sul corpo ed estrarla. (Figura 14)

ASSISTENZA, RICAMBI E GARANZIA

Questioni da considerare da parte del cliente per quanto riguarda la garanzia; Conservare il certificato di garanzia del prodotto. Se il certificato di garanzia non può essere presentato, il prodotto sarà considerato fuori garanzia. Gli elementi ausiliari e gli accessori da acquistare con il prodotto sono esclusi dalla garanzia del prodotto. I materiali specificati nel manuale d'uso che devono essere sostituiti nel tempo e in base all'utilizzo sono esclusi dalla garanzia.

Le seguenti condizioni sono escluse dalla garanzia:

1. Danni e malfunzionamenti causati dall'installazione del prodotto contraria a quanto indicato nel manuale e da errori di utilizzo,
2. Danni e malfunzionamenti durante le operazioni di carico, scarico e trasporto dopo la consegna del prodotto al cliente,
3. Tensione bassa o eccessiva; installazione elettrica difettosa; danni e malfunzionamenti derivanti dall'uso del prodotto a una tensione diversa dal valore di tensione specificato sulla targhetta,
4. Danni e malfunzionamenti causati da incendi e/o fulmini,
5. Malfunzionamenti derivanti dall'uso del prodotto in contrasto con i punti del manuale d'uso a cui l'utente deve prestare attenzione.
6. Rottura del vetro
7. Errori causati da persone non autorizzate che intervengono o tentano di riparare il dispositivo.
8. Problemi derivanti dall'installazione di parti diverse da quelle fornite dal produttore.

La responsabilità di redigere il certificato di garanzia e di consegnarlo al consumatore spetta al venditore, al rivenditore, all'agenzia o all'ufficio di rappresentanza presso il quale il consumatore ha acquistato il bene. La garanzia non è valida se il certificato di garanzia viene falsificato, se il numero di serie originale del prodotto viene rimosso o cancellato.

I filtri in alluminio utilizzati nelle cappe devono essere puliti nei tempi e nei modi indicati nel manuale. A causa dell'uso, con il passare del tempo i filtri possono annerirsi e scolorirsi. Tali situazioni sono normali, non impediscono al prodotto di svolgere le proprie funzioni e non sono coperte da garanzia. Se le avvertenze specificate nel manuale non vengono rispettate nei prodotti in acciaio inox, possono verificarsi annerimenti, ossidazioni, fluttuazioni sulla superficie. Tali casi non sono coperti da garanzia.

Avvertenze relative al trasporto e alla manipolazione

- Durante il trasporto, osservare le indicazioni riportate sul pacco.

Se è necessario il trasporto;

- Conservare l'imballaggio originale.
- Trasportare con l'imballo originale, seguendo le indicazioni di trasporto riportate sull'imballo.

Se manca l'imballaggio originale;

- Non collocare oggetti pesanti sulla cappa.

ASSISTENZA POST-VENDITA:

Contattare il produttore per conoscere il servizio di assistenza autorizzato più vicino.

Vi preghiamo di osservare le seguenti precauzioni.

1. Quando si riceve il prodotto, far approvare il certificato di garanzia dal rivenditore autorizzato.
2. In caso di richiesta di assistenza per il prodotto, è possibile chiamare la linea diretta per i consumatori.
3. Chiedete al tecnico dell'assistenza la "carta d'identità del tecnico".
4. Non dimenticate di chiedere al tecnico dell'assistenza una "ricevuta di assistenza" al termine dell'intervento. La ricevuta di assistenza che riceverete vi sarà utile in caso di eventuali problemi futuri del vostro prodotto.
5. Durata: 10 anni. Durante questo periodo, il produttore garantisce la disponibilità dei pezzi di ricambio necessari.

Se la cappa non funziona:**Prima di contattare il servizio di assistenza:**

Assicurarsi che la spina sia inserita nella presa e che il fusibile elettrico dell'impianto sia intatto. Non effettuare interventi che potrebbero danneggiare il prodotto.

Prima di contattare il servizio di assistenza, controllare la cappa secondo la Tabella 1.

Se il problema persiste, contattare il centro di assistenza autorizzato più vicino.

Assistenza e ricambi:

Se necessario, è possibile ottenere parti di ricambio per il prodotto presso un centro di assistenza autorizzato. Quando si contatta il centro di assistenza o il rivenditore, si prega di indicare il nome del modello del prodotto che si trova sull'etichetta del prodotto per richiedere i pezzi di ricambio. L'etichetta del prodotto è visibile quando si rimuove il filtro a cassetta in alluminio.

PROBLEMA	CAUSA	METODO DI SOLUZIONE
Il dispositivo non funziona.	La spina potrebbe non essere inserita.	Assicurarsi che la spina sia inserita nella presa.
	Il pulsante di accensione/ spegnimento potrebbe non essere stato premuto.	Premere il tasto On/Off.
L'illuminazione non funziona.	La spina potrebbe non essere inserita.	Verificare che la spina sia inserita.
	L'interruttore del prodotto potrebbe non funzionare.	Controllare l'interruttore.
	La lampada potrebbe essere rotta.	Sostituire la lampada.
Le prestazioni del dispositivo sono insufficienti o produce un forte rumore durante il funzionamento.	Se si utilizza la cappa senza camino, i filtri al carbone potrebbero avere più di 4 mesi.	Sostituire i filtri al carbone con altri nuovi.
	L'aria fresca che entra in cucina potrebbe non essere sufficiente a garantire il flusso d'aria.	Aprire la finestra della cucina per ventilare l'ambiente.
	L'uscita dell'aria potrebbe essere parzialmente o completamente bloccata.	Controllare che il percorso di scarico dell'aria sia aperto.

(Tabella 1)

Se non si riesce a risolvere il problema nonostante le istruzioni riportate in questa sezione, contattare il centro di assistenza autorizzato più vicino o richiedere il supporto del nostro call center.

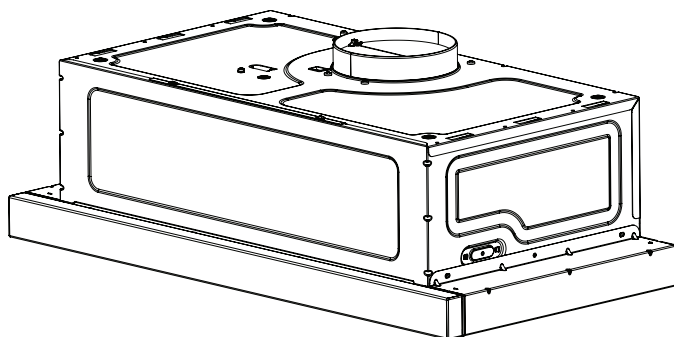
Conforme alla normativa AEEE.

Se avete dei reclami, potete presentare le vostre lamentele e obiezioni ai tribunali dei consumatori e ai comitati di arbitrato dei consumatori.

Hagen

ASPIRATOR ME SHINË

[AL] MANUALI I SIGURISË, INSTALIMIT DHE OPERIMIT



CE

UDHËZIME TË RËNDËSISHME PËR SIGURINË JU LUTEMI LEXONI ME KUJDES DHE MBAJENI PËR REFERENCËN E ARDHSHME

Ju lutem lexoni këtë manual

I dashur klient,

Ju lutemi lexoni mirë këtë manual para përdorimit të produktit dhe mbajeni atë për qëllime referimi. Nëse e transferoni produktin tek një person tjetër, jepni edhe manualin.

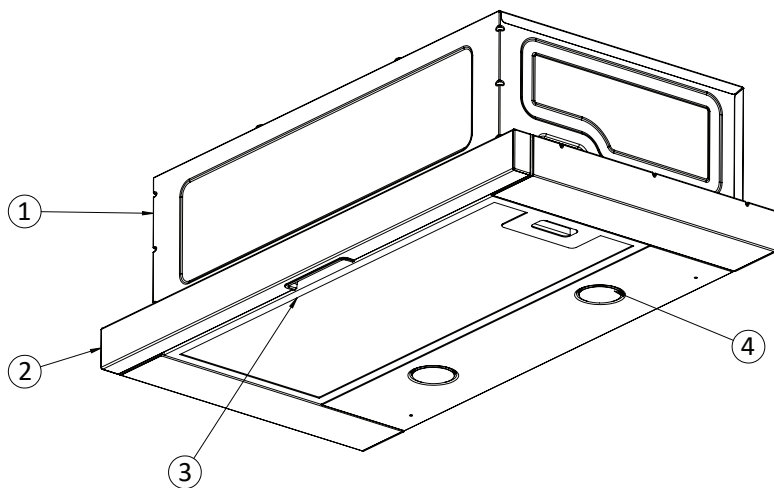
Prodhuesi nuk do të pranojë asnjë përgjegjësi për ndonjë dëmtim apo zjarr të shkaktuar nga probleme të mundshme që dalin nga mosrespektimi i udhëzimeve të dhëna në këtë manual.

- Ju lutemi kontaktoni me qendrën e shërbimit të autorizuar për të gjitha pyetjet. Manuali i operimit ju ndihmon ta përdorni produktin në mënyrë korrekte dhe të sigurt.
- Lexoni manualin e operimit para vendosjes dhe operimit të produktit.
- Respektoni përfundimisht udhëzimet lidhur me sigurinë.
- Ju lutemi, mbajeni manualin e operimit në një vend të dobishëm për çdo nevojë të mundshme.
- Lexoni dokumente të tjera të dhëna së bashku me produktin gjithashtu.
- Ju lutem mos harroni se manuali i tanishëm i operimit mund të aplikojë edhe për versione të tjera. Mund të ketë dallime midis versioneve për shkak të prodhuesve të ndryshëm, por kushtet e pastrimit dhe mirëmbajtjes janë të njëjta.

Simbol	Kuptim
	PARALAJMËRIM
	RREZIK NGA GODITJA ELEKTRIKE
	RREZIK ZJARRI

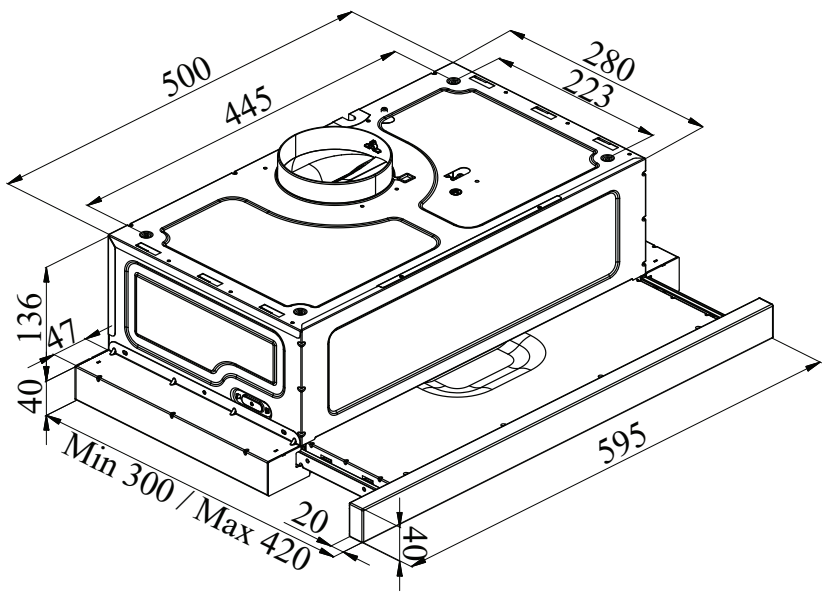
SPECIFIKIMET TEKNIKE TË PAJISJES	4
PARALAJMËRIMI DHE MASAT E	7
INSTALIMI DHE AKSESORËT	12
FUNKSIONIMI DHE PËRDORIMI I ASPIRATORIT	16
PASTRIMI DHE MIRËMBAJTJA.....	18
SHËRBIMI, PJESET E KËMBIMIT DHE GARANCIA.....	20

SPECIFIKIMET TEKNIKE TË PAJISJES



(Figura 1)

1. Trupi
2. Paneli i Përparmë
3. Filtri
4. Ndriçimi



(Figura 2)

SPECIFIKIMET TEKNIKE

Kodi i Produktit	D008.60.XXX.XX.Z007
Tensioni dhe Frekuenca	220-240Vac 50Hz
Fuqia Totale e Produktit	Min. 2W- Max. 102W
Fuqia e Motorit	100W
Fuqia e Llambës	2 x 1W
Paneli i Kontrollit	2 Shpejtësi
Diametri i Lidhjes së Daljes së Ajrit	120mm
Gjerësia e Produktit	595 mm
Thellësia e Produktit	300 mm
Lartësia e Produktit	176mm

PARALAJMËRIMI DHE MASAT E



Ky produkt është projektuar për përdorim shtëpiak si një version për të shteruar ose filtruar ajrin. Nuk është projektuar për të vepruar jashtë.



Ky produkt mund të përdoret për fëmijët mbi 8 vjeç dhe nga personat me aftësi të kufizuara fizike, perceptuese ose mendore vetëm nëse mbahen nën mbikëqyrje ose u jepen udhëzime për përdorimin e sigurisë së produktit dhe ata janë shumë të vetëdijshëm për rreziqet që lidhen me produktin. Fëmijët nuk duhet të luajnë me produktin. Nëse nuk janë mbi 8 vjeç dhe nën mbikëqyrje, pastrimi dhe mirëmbajtja e produktit nuk duhet të kryhet nga fëmijët. Mbajeni produktin dhe kabllon e tij në një vend jashtë mundësive të fëmijëve të vegjël nën 8 vjeç.



Kur kapaku i rrezes elektrike përdoret njëkohësisht me pajisje të tjera duke përdorur gaz ose lëndë djegëse të tjera, dhoma duhet të ventilohe mirë (mund të mos jetë e zbatueshme për pajisjet të cilat vetëm rishqyrtojnë ajrin në dhomë).



Mbajini materialet e paketimit në vende jashtë mundësive të fëmijëve ose shkatërrojini ato. Aksesit në materialet e paketimit nga fëmijët mund të çojë në pasoja të rrezikshme.



Përveç nëse nuk ka mbikëqyrje dhe menaxhim në lidhje me përdorimin e produktit nga një person përgjegjës për sigurinë e produktit, ky produkt nuk ka për qëllim të përdoret nga persona (përfshirë fëmijët) që janë aftësi të kufizuara fizike, sensuale dhe metalike ose mungesë të përvojës dhe njohurive.



Sigurohuni që priza është lehtësisht e arritshme në mënyrë që ta fikni atë në rast të ndonjë rrezik.



Produktet elektrike janë të rrezikshme për fëmijët. Kur pajisjet funksionojnë, mbajini fëmijët larg pajisjeve elektrike. Mos lejoni që fëmijët të luajnë me pajisjet.



Vlerat kryesore duhet të përputhen me ato të dhëna në pllakën e emrit të kapuç. Ngrini mbulesën e xhamit dhe hiqni filtrin në mënyrë që të keni akses në pllakën e emrit.



Përdorni fitilin "Maximum 6A" në instalimin e energjisë me të cilin është lidhur kapuç
Si për sigurinë tuaj ashtu edhe për sigurinë e produktit.



Gjatë instalimit, kabloja e energjisë nuk duhet t'i nënshtrohet kompresimit apo shtypjes. Nëse kabloja e energjisë dëmtohet, ajo duhet të zëvendësohet nga një qendër shërbimi e autorizuar ose një elektrikist i kualifikuar. Ajo vlen edhe për çdo dëmtim të mundshëm të kabllos së energjisë në të ardhmen.



Produkti duhet të lidhet me duart vetëm nga një elektrikist i autorizuar dhe i kualifikuar. Garancia e produktit fillon vetëm pas instalimit të saktë të tij.



Mos e lidhni produktin para se ta rregulloni në mur.



Priza e tokëzuar është instaluar në kabllon e energjisë së produktit tuaj. Kjo kablo duhet të
Patjetër të futeni në një soket të tokëzuar.



Shkëputni lidhjen e energjisë së produktit para pastrimit dhe mirëmbajtjes.
(Hiqe prizën e produktit nga soketi për shkëputje.)



Mosarritja e rregullimit të vidave apo elementeve të fiksimit sipas udhëzimeve mund të
Të çojë në rreziqe elektrike.



Kur instalimi i produktit është përfunduar, lini një distancë prej 60 cm midis gamës së produktit dhe elektrike ose minimumi 65 cm midis produktit dhe vargonjve duke përdorur gaz ose lëndë djegëse të tjera. Nëse distanca më e madhe është specifikuar në udhëzimet e instalimit të vargmaleve me gaz, duhet t'u përmbaheni atyre.



Kur kapuçi përdoret së bashku me pajisjet e gatimit, pjesët e arritshme mund të ngrohen.



Ushqimi i djegshëm nuk duhet të gatuhet nën kapuç.



Flaka e zhveshur është shumë e dëmshme për kapuç dhe mund të çojë në rrezik zjarri; Duhet, Prandaj, shmanguni.



Në rast të ndezjes, shkëputni fuqinë e kapuçit dhe pajisjeve të gatimit (Shkëputni fuqinë duke hequr prizën e produktit nga soketi).



Operoni kapuç pasi të vendosni tenxheren, tiganin e skuqjes ose kontejnerët e gatimit në gamë. Përndryshe, nxehtësia e lartë mund të shkaktojë deformim të produktit tuaj.



Fike vargun para se të marrësh kontejnerët e gatimit, si për shembull tenxheren ose skuqjen Pan nga gama.



Mos i lini enët e gatimit si tenxheren ose tiganin e skuqjes në varg kur përmbajnë vaj të nxehtë. Gatimi i kontejnerëve me vaj të nxehtë në to mund të shkaktojë vetë-ndezje. Sidomos kini kujdes kur skuqeni. Shikoni perdet dhe mbulesat e leckës për shkak të karakterit lehtësisht të ndezshëm të vajit.



Vajrat që grumbullohen në filtra, të cilat nuk pastrohen dhe/ose zëvendësohen në kohë shkaktojnë rrezik zjarri.



Nëse pastrimi nuk kryhet periodikisht dhe me metodat e duhura, produkti juaj mund të ketë rrezik zjarri. Ju duhet të pastroni brenda dhe jashtë kapuç duke i dhënë vëmendje të duhur udhëzimeve të mirëmbajtjes (minimumi një herë në muaj).



Mos përdorni asnjë material filtrimi që nuk është rezistent ndaj nxehtësisë dhe flakës në vend të filtrit ekzistues në produkt. Mos e përdorni produktin tuaj pa filtër.



Kabloja e energjisë nuk duhet të shkojë pranë vargmaleve sepse mund të shkrihet dhe të shkaktojë zjarr
Siç do të ekspozohet ndaj temperaturës së lartë.



Nëse operoni llambat e produktit për një kohë të gjatë, mos i prekni llambat. Llambat mund t'ju djegin dorën pasi janë ende të nxehta.



Përveç nëse është specifikuar posaçërisht, kurrë mos e përdorni kapuç si një sipërfaqe mbështetëse. Do
Mos vendosni peshë mbi të.



Përdorni vidën e furnizuar me produktin për instalim ose nëse ato nuk furnizohen atëherë blini llojin e duhur të vidave. Për instalim, përdorni vida me diametër dhe lartësi të saktë siç është specifikuar në manual.



Duhet të respektohen rregullat që lidhen me shterimin e ajrit të pikave të shitjes.



Ajri nuk duhet të shterohet kurrë në hullinë e cila ka për qëllim shterimin e tymit të emetuar nga pajisjet duke përdorur gaz ose lëndë djegëse të tjera deri jashtë (Mund të mos aplikohet për pajisjet të cilat vetëm rishqyrtojnë ajrin në dhomë). Rrjedhja e kapuçës duhet të jetë vetëm për kapuç. Nuk duhet përdorur me pajisje të përbashkëta.



Dalja e kapuçës nuk duhet të lidhet me kanalet e ajrit ku rrjedhat e të tjerëve Llojet e pajisjeve janë të vendosura.



Kur lidhni kapuç me fyellin, përdorni tub në diametër prej 120 mm. Për performancë të mirë, lidhja e tubit duhet të jetë sa më e shkurtër, e lëmuar dhe me përkulje minimale.



Tubi i shkarkimit nuk furnizohet me produktin. Ajo duhet të blihet veçmas. Diametri i tubit të shkarkimit duhet të jetë i barabartë me diametrin e unazës së lidhjes.



Ndërsa kapuçi dëbon ajrin në dhomë nga jashtë, mund të preken edhe pajisje të tjera që operojnë me ajër. Për këtë arsye, kur kapuçi funksionon, lejoni hyrjen e ajrit të freskët në shtëpi.



Në rast të përdorimit të filtrit të aktivizuar të karbonit pa lidhje me fyellin, mos lani kurrë filtrat e aktivizuar të karbonit. Në varësi të shpeshtësisë së përdorimit të këtij filtri, ju rekomandohet ta zëvendësoni atë në 2-4 muaj mesatarisht. Kur dëshironi ta zëvendësoni, ju lutemi kontaktoni me qendrën e shërbimit të autorizuar.

Kjo pajisje është e tregut sipas Direktivës Evropiane 2012/19/KE mbi Mbetjet Elektrike dhe Elektronike. Nëse siguron largimin e duhur të këtij produkti, do të parandaloni efektet negative që mund të shfaqen për shkak të trajtimit të papërshtatshëm të produktit për shëndetin e njeriut.



Simboli i përdorur në vetë produktin ose në dokumentet e dhëna së bashku me produktin i referohet faktit se kjo pajisje nuk duhet të konsiderohet si mbetje vendase. Pajisjet duhet të dorëzohen në vendin e grumbullimit të produkteve të riciklueshme ku disponohet ky lloj i pajisjeve elektrike dhe elektronike. Hedhja e mbeturinave duhet të kryhet në përputhje me rregullat aktuale mjedisore lokale në lidhje me asgjësimin.

Për informacion të detajuar në lidhje me kushtet e riciklimit të këtij produkti, konsultohuni me departamentin e lidhur të bashkisë vendore, shërbimin e trajtimit të mbetjeve ose tregtarin e produktit.

INSTALIMI DHE AKSESORËT

Para se të shpaketoni produktin:

Sigurohuni që instalimi elektrik të jetë i përshtatshëm. Nëse nuk jeni të sigurt, telefononi një të kualifikuar Elektracisti dhe shkaku i rregullimeve të kërkuara kryhen prej tij.

Përgatitja e vendit të instalimit si dhe instalimi elektrik është për përgjegjësinë e Klienti.

Për instalimin e produktit, rregullat që lidhen me fuqinë siç specifikohen nga standardet lokale

Duhet të vërehet.

Kontrolloni nëse produkti ka ndonjë dëmtim para instalimit të tij. Nëse produkti është me defekt, mos e instaloni. Përndryshe produkti me defekt mund të përbëjë rrezik për sigurinë.



Dhoma duhet të ventilohe mirë për funksionimin e sigurt të produktit.

Nëse nuk ka dritare për ventilim të dhomës, duhet të siguroni një ventilim shtesë (ventilim në panelin e dritares, etj.). Nëse ka ventilator në kuzhinën tuaj, mos e bllokoni kurrë.

Inspektoni gjendjen e materialeve të tjera brenda kapuç (p.sh. aksesoret e instalimit, manualin operativ) në kutinë e kartonit dhe hiqni dhe mbani ato në një vend të veçantë.

Kurrë mos i mbani në kapuç.

Mos e instaloni produktin në sipërfaqe të tilla si tjegulla, gloss ose silikoni.

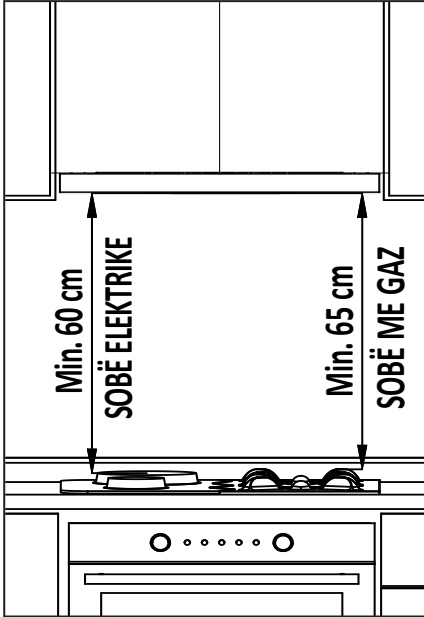
Rregulloje vetëm në mur.



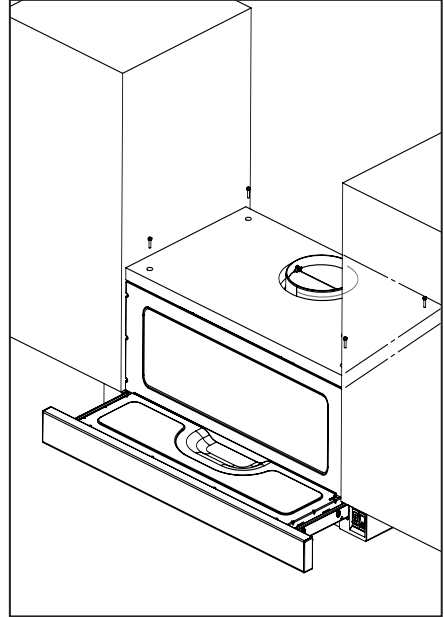
Mos i lejoni fëmijët të luajnë me materialet e paketimit!

INSTALIMI I KAPUÇËS

Ju lutem ndiqni rendin e mëposhtëm të veprimeve për të instaluar produktin.



(Figura 3)



(Figura 4)

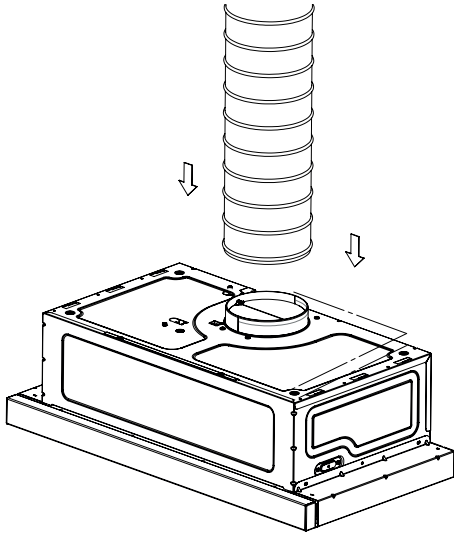
Pozicioni i produktit:

Kur instalimi i produktit është i plotë-lënë, duhet të ketë një pastrim prej 60cm midis gamës së produktit dhe elektrike dhe 65 cm midis produktit dhe gamës duke përdorur gaz ose karburante të tjera.

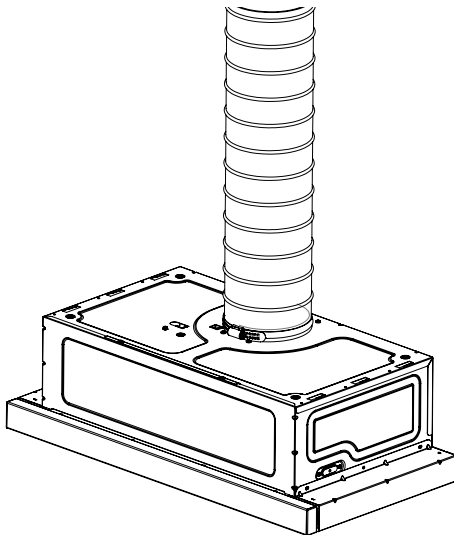
(Figura 3)

1) Lidhni shabllonin montues që ndodhet pranë pajisjeve montuese brenda kutisë së produktit në sipërfaqen ku do të montohet produkti.

(Figura 4)



(Figura 5)



(Figura 6)

2. Drill $\varnothing 4$ mm vrime të shpuara në pikat e shënuara A, B, C, D në modelin e montimit.

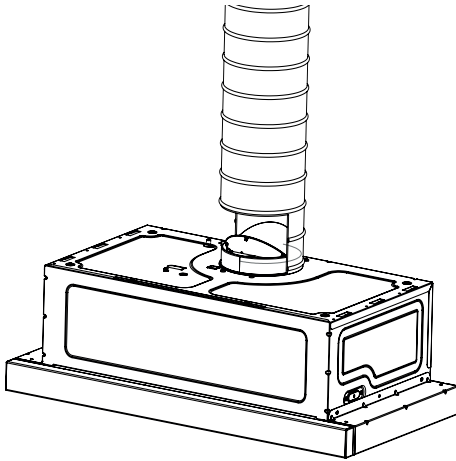
3. Shpuni vrimën e daljes së oxhakut të specifikuar në shabllonin e montimit në madhësinë e dhënë.

4. Produkti është montuar në kabinet nga pikat A, B, C, D duke përdorur vidat 4,8x50 të furnizuara me pajisjen. Kur diapozitivi lëviz, paneli i përparmë nuk duhet të fërkohet kundër derës së kabinetit.

(Figura 4)

5. Lidhni kapakun me tubin e aluminit. Kalojeni tubin fleksibël të aluminit në fyellin plastik dhe rregullojeni atë duke përdorur mbajtësen plastike të kabllot ose klamp pa e tepruar. Fute skajin tjetër të tubit në vrimën e fyellit në mur.

(Figura 5-6)



(Figura 7)

Para se të lidhni kapakun me tubin, duhet të kontrolloni fishkëllimat plastike në pikën e daljes së ajrit të produktit. Para se të bëni lidhjen e tubit, operoni kapuç dhe sigurohuni që krahët të lëvizin lart në mënyrë korrekte dhe të lejojnë daljen e ajrit. Përndryshe, ndryshoni drejtimin e fishekzjarreve.

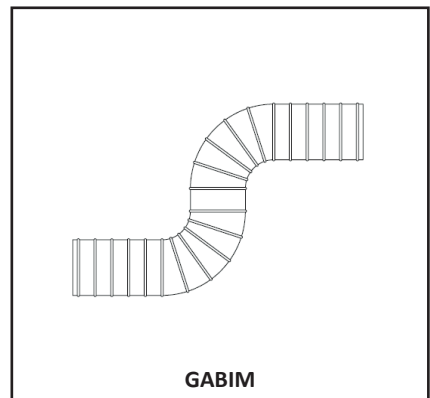
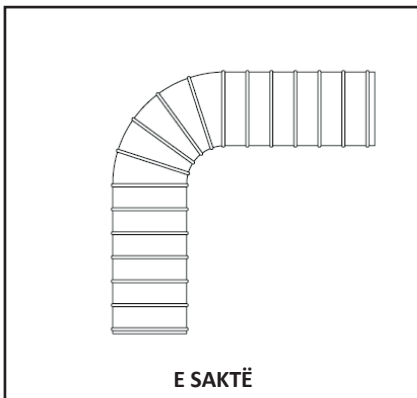
(Figura 7)

Mbingarkesa e mbajtësit të kabllor ose e pincave kur bën lidhjen e tubit mund të parandalojë operimin e fishekzjarrëve. Para se të lidhni tubin me oxhakun e shtëpisë suaj, ju, pra, kontrolloni nëse kapuçi funksionon siç duhet duke operuar atë.

Për të përdorur kapuç në mënyrë efektive:

Kur lidhni kapuç me fyellin, përdorni tub në diametër prej 120 mm dhe numër minimal të përkuljeve sa më larg të jetë e mundur. Ndërsa përkuljet dhe bërrylat në tubin e aluminit do të shkaktojnë reduktim të fuqisë së thithjes së ajrit, duhet të shmangni përdorimin e shumë përkuljeve dhe bërrylave për aq sa është e mundur (**Figura 8**)

Kushtojni vëmendje përdorimit të rregullt të filtrave të karikatorit të aluminit dhe kohës së zëvendësimit të filtrave të karbonit.



(Figura 8)

FUNKSIONIMI DHE PËRDORIMI I ASPIRATORIT

Para se të operonte kapuç



Para se të operoni kapuç, sigurohuni që të gjitha lidhjet mekanike dhe elektrike të jenë Përfunduar.



Mos lini asnjë material të huaj brenda kapuç. Sigurohuni që të mos ketë material paketimi rreth tij.

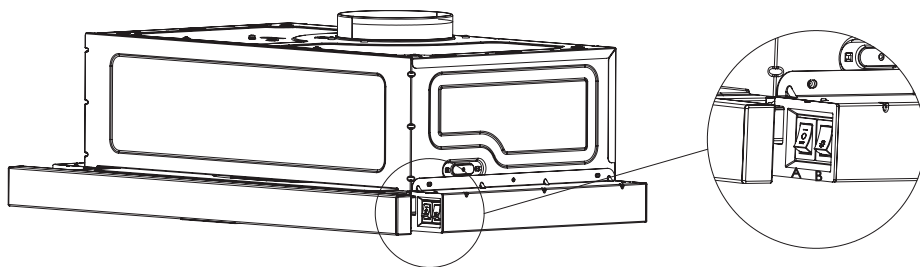


Sigurohuni që të hiqni shiritin e mbrojtjes blu në skajet e filtrit të larës të karikatorit të aluminit në kapuç. Ju lutem mos harroni se nëse kjo fashë mbrojtëse nuk hiqet, ajo përbën rrezik djegieje pasi nuk është me karakter të ndezshëm.

Përzgjedhja e shpejtësisë

Pajisja ka 2 faza ventilimi. Zgjidhni një nga nivelet e ulëta të operimit (cikli i parë) - i lartë (cikli i 2-të) sipas avullit të gjeneruar gjatë gatimit. Pas përfundimit të procesit të gatimit, lëreni kapuçin të vrapojë për pak kohë, në mënyrë që aroma dhe avujt e mbetur të absorbohen.

Kontrolli me Ndërprerës Rocker me 2 Shpejtësi



(Figura 9)

A- Ndërrimi i ciklit

B- Light On / Off Switch

Për të operuar pajisjen në fazën e parë të shpejtësisë, kthejeni kalimin e shpejtësisë në pozicion.

Figura 9/A

Për të operuar pajisjen në fazën e dytë të shpejtësisë, kthejeni kalimin e shpejtësisë në pozicion.

Figura 9/A

Për të ndezur llambën e pajisjes, kthejeni kalimin e ciklit në pozicionin për të operuar llambën në / fikni switch-in.

Figura 9/B

Funksionet e pajisjeve

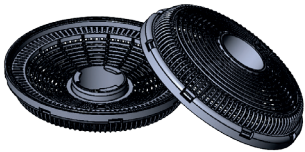
Kapuç mund të përdoret në kuzhina me ose pa fyell.

Për përdorim me fyell:

Në rast të përdorimit me lidhje me fyellin, kapuçi duhet të lidhet me një hulli për të shteruar ajrin. Për përdorim të efektshëm të kapuçës suaj, duhet të ndiqni mënyrën më të shkurtër të tubacionit në fyell dhe rrugët e frymëmarrjes duhet të jenë të hapura. Produkti juaj është dorëzuar nga fabrika si i përshtatshëm për përdorim me flue.

KUJDES: Kapuçi nuk duhet të lidhet me kanalin ajror ku ka tym tjetër.

Për përdorim pa fyell;

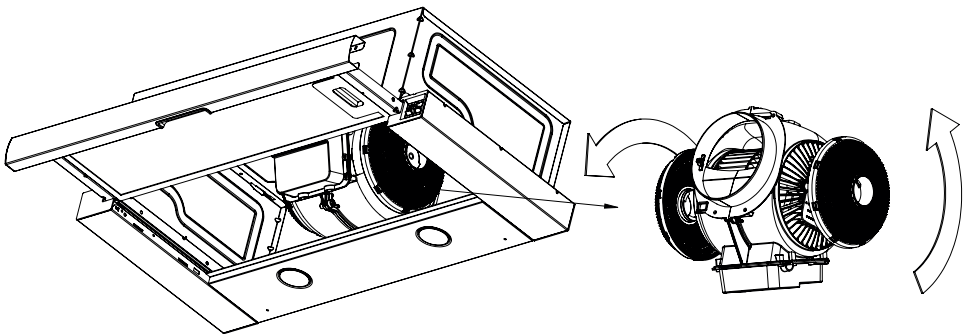


(Figura 10)

Filtri i aktivizuar i karbonit

Në vendet pa asnjë tub për lidhje me jashtë, ju duhet të përdorni filtrin e aktivizuar të karbonit për të filtruar dhe ricikluar ajrin në vend. Ju duhet të merrni filtrin e aktivizuar të karbonit nga qendra juaj e shërbimit të autorizuar.

(Figura 10)



(Figura 11)

Zëvendësimi i filtrit të karbonit të aktivizuar

Ju duhet të përdorni 2 filtra karboni në produkt.

Për të vënë në vend filtrin e karbonit, kanalet në mbulesën motorike duhet të sillen në përputhje me lugs në filtër dhe ta rrotullojnë atë gjysmë kthese në drejtimin e orës. Për ta hequr, duhet ta rrotulloni në mënyrë anticlockwise me gjysmë kthese.

(Figura 11)

PASTRIMI DHE MIRËMBAJTJA

Pastrimi

Para Operacioneve Të Mirëmbajtjes Dhe Pastrimit, Duhet Të Hiqni Kabllon e Fuqisë Nga Priza Ose Të Fikni Kapakun.

Sipërfaqet e Jashtme të Kapakut Duhet Të Fshihen Me Një Pëlhurë Të Lagur Me Ujë Me Sapun.

Mos Përdorni Materiale Kimike Korrozive Dhe Të Rrezikshme.

Kujdesuni Që Uji Ose Substanca Të Ngjashme Të Mos Kontaktojnë Me Elektronikat.

Për Produktet e Bëra Nga Fletë Inoksi, Përdorimi i Agjentëve të Mirëmbajtjes dhe Pastrimit të Disponueshme Tregtare Për Produkte Inoksi Do Të Sigurojë Që Produkti Juaj Të Shërbejë Më Gjatë.

Filtrat e Kasetave të Aluminit Janë Të Larëshme Në Makinat e Larjes së Enëve.

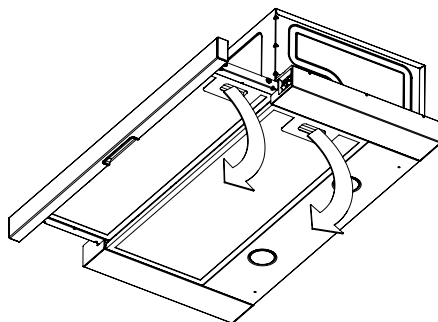
Filtri i Kasetës së Aluminit Duhet Të Lahet Një Herë Në Disa Muaj (Pas Çdo 40 Orësh Pune Mesatarisht) Varësisht Nga Frekuenca e Përdorimit Me Ujë të Nxehtë dhe Sapun Ose, Nëse Është e Mundur, Individualisht Në Makinën e Larjes së Enëve (Maksimumi 60°C). Pas Larjes, Filtri i Kasetës së Aluminit dhe Karkasa e Tij Mund Të Ndryshojnë Ngjyrë. Kjo Është Normale Dhe Nuk Ndikon Në Funkcionin e Filtrave.

Hiqni Filtrin e Kasetës së Aluminit Duke Shtyrë Kapakun e Pranverës Në Fund. Pas Pastrimit, Lëreni Atë Të Thahet. Mos E Vendosni Në Vendi Para Se Të Thahet.

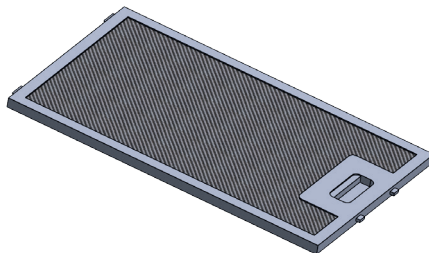
(Figura 12)

Filtrat e Kasetave të Aluminit Të Larëshme

Nëse Dëshironi Të Zëvendësoni Filtrin e Kasetës së Aluminit, Konsultohuni Me Qendrën Më Të Afërt të Shërbimit të Autorizuar Për Ta Marrë Atë. Për Këtë Qëllim, Duhet Të Tregoni Numrin e Versionit Të Shkruar Në Plakën Emërtuese Të Produktit Tuaj. Filtrat Për Marka Dhe Versione Të Tjera Të Disponueshme Tregtare Nuk Janë Përputhshëm Me Produktin Tuaj.



(Figura 12)

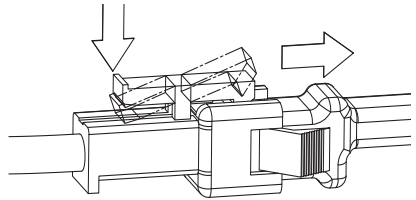
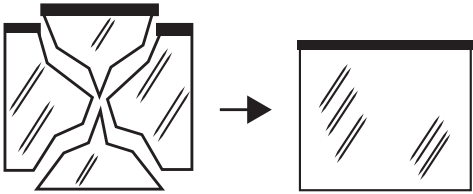


Informacion i përgjithshëm për llambat dhe zëvendësimin e llambave

Hood është i pajisur me një sistem ndriçimi me bazë LED.

Kur LED-të krahasohen me ndriçimin ideal dhe llambat normale, ato sigurojnë një kohë shërbimi 10 herë më të gjatë, me kursime energjie deri në 90%.

Nëse hasni ndonjë deformim fizik të llambës së kapuçës ose ndonjë problem me ndriçimin e saj, Ju lutemi kontaktoni me Qendrën e Shërbimit të Autorizuar.



(Figura 13)

Nëse ndodh ay crack ose thyerje në sipërfaqen e llambës, kontaktoni me qendrën e autorizuar ser- vice dhe zëvendësojeni atë.

Nëse është e nevojshme për të zëvendësuar llambat, ju lutemi kontrolloni info e mëposhtme dhe zëvendësojeni atë me një alternativë që ka të njëjtën specifi- cations teknike.

Kodi ILCOS D: DBR-1-H (ILCOS d code as per Standardi IEC 61231)

Moduli LED – plastikë gjysmë transparente
Fuqia e vlerësuar e çdo llambe: 1W

Fuqia maksimale e potencialit të llambës për zëvendësim- ment: 2 x 1W

Gama e tensionit të llambës: 220 - 240V

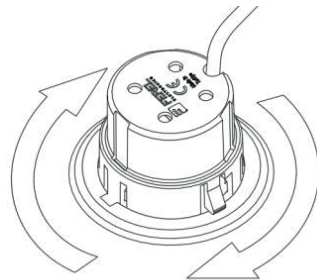
Madhësia e produktit: diametri: 35,8 mm / lartësi: 30 mm

Nëse kërkohet, ju mund të blini llamba të reja nga qendra e shërbimit të autorizuar.

Zëvendësimi i llambave

Para zëvendësimit të llambave, hiqni kabllon e energjisë së kapuç. Dhe pastaj ngrini xhamin e përparmë lart dhe hiqni filtrin e karikatorit të aluminit. Më pas:

1. Shkëputni lidhësit femra dhe meshkuj të llambave duke shtyrë prapa një pjesë të lugut plastik siç tregohet në figurën në të majtë këtu për të lëshuar mekanizmin e kyçjes. (Figura 13)



(Figura 14)

2. Mbjajeni llambën në trupin e saj dhe rrotulloni 2 lugs mbajtëse- ing në llambë në drejtim të orës ose anticlockwise për t'u përputhur me boshllëqet në panelin e ndriçimit. Pas sjelljes së lugs mbajtëse për t'u rreshtuar me boshllëqet, mbajeni llambën në trupin e saj dhe nxirreni jashtë.

(Figura 14)

SHËRBIMI, PJESET E KËMBIMIT DHE GARANCIA

Çështjet Që Duhet Të Marrë Parasysh Konsumatori Përsa I Përket Garancisë;

Ruani Certifikatën e Garancisë së Produktit. Nëse Certifikata e Garancisë Nuk Mund Të Paraqitet, Produkti Do Të Trajtohet Jashtë Garancisë. Elementët Ndhimës Dhe Aksesorët Që Duhet Të Blihen Me Produktin Janë Të Përfshijtura Nga Garancia e Produktit. Materialet e Përcaktuara Në Manualin e Përdoruesit Që Duhet Të Zëvendësohen Me Kalimin e Kohës Dhe Varësisht Nga Përdorimi Janë Të Përfshijtura Nga Garancia.

Kushtet e Mëposhtme Janë Të Përfshijtura Nga Garancia:

1. Dëmtimet Dhe Defektet e Shkaktuara Nga Instalimi i Produktit Në Kundërshtim Me Ato Që Janë Përcaktuar Në Manual Dhe Gabimet e Përdorimit,
2. Dëmtimet Dhe Defektet Gjatë Ngarkimit, Shkarkimit Dhe Transportit Pas Dorëzimit të Produktit Tek Konsumatori,
3. Tension i Ulët Ose Tepër; Instalime Elektrike të Gabuara; Dëmtimet Dhe Defektet e Rezultuara Nga Përdorimi i Produktit Në Një Tension Të Ndryshëm Nga Vlera e Tensionit e Përcaktuar Në Etiketën e Tipit,
4. Dëmtimet Dhe Defektet e Shkaktuara Nga Zjarri Dhe/Ose Rrëmbimi i Rrufës,
5. Defektet e Shkaktuara Nga Përdorimi i Produktit Në Kundërshtim Me Pikat Në Manualin e Përdoruesit Që Përdoruesi Duhet T'i Kushtojë Vëmendje.
6. Thyerja e Xhamit
7. Gabimet e Shkaktuara Nga Ndërhyrjet e Cilësdo Person Përveç Personave të Autorizuar Ose Përpjekjet Për Të Riparuar Pajisjen.
8. Problemet e Shkaktuara Nga Instalimi i Çdo Pjesëje Përveç Pjesëve të Siguruara Nga Prodhuesi.

Përgjegjësia Për Të Përfunduar Certifikatën e Garancisë Dhe Për T'ia Dhënë Konsumatorit I Përket Shitësit, Tregtarit, Agjencisë Ose Zyrove Përfaqësuese Ku Konsumatori Ka Blerë Mallin. Kjo Garanci Nuk Është e Vlefshme Nëse Certifikata e Garancisë Është Falsifikuar, Numri Origjinal Serial Në Produkt Është Hequr Ose Zbehur.

Filtrat e Aluminit të Përdorura Në Kapakët Duhet Të Pastrohen Në Kohën Dhe Mënyrën e Përcaktuar Në Manual. Si Rezultat i Përdorimit, Mund Të Ndodhin Errësira Dhe Ndryshime Ngjyrash Në Filtrat Me Kalimin e Kohës. Situata të Tilla Janë Normale, Nuk Ndërpresin Detyrat Dhe Funkcionet e Produktit Dhe Nuk Përfshihen Në Garanci. Nëse Nuk Respektohen Paralajmërimet e Specifikuara Në Produktet e Çelikut Inoks, Mund Të Ndodhin Errësira, Oksidime, Luhatje Në Sipërfaqe. Raste të Tilla Nuk Janë Të Përfshira Në Garanci.

Paralajmërimet Për Transportin Dhe Trajtimin

- Respektoni Shenjat Në Paketim Gjatë Transportit.

Nëse Keni Nevojë Për Transport;

- Ruani Paketimin Origjinal.
- Transportoni Me Paketimin Origjinal, Ndiqni Shenjat e Transportit Në Paketim.

Nëse Paketimi Original Mungon;

- Mos Vendosni Objekte të Rënda Mbi Kapakun.

SHËRBIMI PAS SHITJES:

Ju Lutemi Të Kontaktoni Prodhuesin Për Agjencinë Më të Afërt të Shërbimit të Autorizuar.

Ju Lutemi Të Respektoni Masat e Mëposhtme.

1. Kur Të Merrni Produktin Tuaj, Bëni Që Certifikata e Garancisë Të Aprovohet Nga Shitësi Juaj i Autorizuar.
2. Kur Keni Një Kërkesë Shërbimi Për Produktin Tuaj, Mund Të Telefononi Linjën e Konsumatorit.
3. Kërkoni Teknikut të Shërbimit Për “Kartën e Identitetit Teknik”.
4. Mos Harroni Të Kërkoni “Fletën e Shërbimit” Nga Tekniku i Shërbimit Kur Përfundoni. Fleta e Shërbimit Që Do Të Merrni Do Të Jetë e Dobishme Nëse Ka Problemet Që Mund Të Ndodhin Në Produktin Tuaj Në Të Ardhmen.
5. Jetëgjatësia: 10 Vjet. Gjatë Kësaj Periudhe, Prodhuesi Garanton Disponueshmërinë e Pjesëve të Nevojshme Rezervë.

Nëse Kapaku Nuk Punon:

Para Se Të Kontaktoni Shërbimin:

Sigurohuni Që Fisha Është Vendosur Në Prizë Dhe Siguruesi Elektrik Në Instalacion Është Në Rregull. Mos Kryeni Asnjë Punë Që Mund Të Dëmtojë Produktin.

Kontrolloni Kapakun Tuaj Sipas Tabelës 1 Para Se Të Kontaktoni Shërbimin.

Nëse Problemi Vazhdon, Kontaktoni Qendrën e Shërbimit Më të Afërt të Autorizuar.

Shërbimi Dhe Pjesët e Këmbimit:

Nëse Është e Nevojshme, Mund Të Merrni Pjesë Rezervë Për Produktin Tuaj Nga Qendra Juaj e Shërbimit të Autorizuar. Kur Të Kontaktoni Qendrën Tuaj të Shërbimit Ose Shitësin, Ju Lutemi Të Tregoni Emrin e Modelit të Produktit Që Mund Ta Shihni Në Etiketën e Produktit Për Të Kërkuar Pjesë Rezervë. Do Të Jeni Në Gjendje Ta Shihni Etiketën e Produktit Kur Ta Hiqni Filtrin e Kasetës së Aluminit.

PROBLEMI	SHKAKU	ZGJIDHJA
Pajisja nuk punon.	Priza mund të mos jetë e lidhur.	Dalja e ajrit mund të bllokohet pjesërisht ose plotësisht.
	Butoni On/Off mund të mos Janë shtypur.	Shtypni Butonin Në/Fik.
Ndriçimi nuk funksionon.	Priza mund të mos jetë e lidhur.	Sigurohuni që priza të jetë e lidhur.
	Ndërrimi i produktit mund të mos jetë duke punuar.	Kontrollo çelësin.
	Llamba mund të thyhet.	Zëvendësoni llambën.
Performanca e pajisjes është e pamjaftueshme ose bën zhurmë të madhe kur vepron.	Nëse jeni duke përdorur kapuç pa oxhak, filtrat e karbonit mund të jenë më shumë se 4 muaj të vjetër.	Zëvendësoni filtrat e karbonit me Të reja.
	Mund të mos ketë mjaftueshëm ajër të freskët që hyn në kuzhinën tuaj për të siguruar rrjedhjen e ajrit.	Hapni dritaren e kuzhinës për të ajrosur mjedisin.
	Dalja e ajrit mund të bllokohet pjesërisht ose plotësisht.	Kontrolloni se rruga e shkarkimit të ajrit është e hapur.

(Tabela 1)

Nëse nuk mund ta zgjidhni problemin pavarësisht se ndiqni udhëzimet në këtë seksion, ju lutemi kontaktoni qendrën tuaj më të afërt të shërbimit të autorizuar ose merrni mbështetje nga qendra jonë e thirrjeve.

I / E N D E R U A R K L I E N T I

Lexoni me kujdes dhe vëmendje manualin e përdorimit të pajisjes, me qëllim që të jeni të qartë për përdorimin sa më efikas të pajisjes suaj. **Garancia bëhet e vlefshme në momentin e dorëzimit të mallit!**

Electromagic Sh.p.k mbulon përgjatë gjithë kohëzgjatjes së garancisë:

- Zëvendësimin ose riparimin e pajisjes që jep problem fabrikimi brenda 72 orëve nga data e blerjes.
- Riparimin PA PAGESË vetëm të defekteve teknike që rrjedhin nga fabrikimi gjatë gjithë periudhës së garancisë.
- Sigurimin e pjesëve origjinale të këmbimit dhe shërbimin teknik nga personel i kualifikuar.
- Electromagic merr përsipër riparimin e defekteve në ambientin e Klientit. Nëse pajisja ka nevojë për shërbim në laboratorin e servisit, klienti duhet të sigurojë transportin e pajisjes në servis (gjatë periudhës së garancisë dhe pas saj).
- Paraqitjen e stafit teknik në banesën tuaj brenda 48 orëve për Tiranën dhe Durrësin, brenda 72 orëve në rrethe,
- nga momenti i njoftimit.
- Riparimin brenda 72 orëve pas konstatimit të defektit, në rastin kur pjesët janë në servis. Në rastin kur pajisja kërkon pjesë që porositen në fabrikë, afati i riparimit të pajisjes do të jetë brenda 25 ditëve për çdo produkt që paraqet probleme gjatë garancisë.

KUJDES!

Garancia nuk mbulon:

- Pajisjet e pashoqëruara me Fletë Garancinë dhe faturën e blerjes që lëshohet nga **Electromagic Sh.p.k.** Servisi Electromagic nuk merr përsipër asnjë lloj produkti kur ka ndërhyrje nga agjentë të jashtëm, duke nxjerrë në këtë mënyrë automatikisht pajisjen jashtë garancie.
- Ndalohet rreptësisht ndërhyrja në pajisje apo riparimi nga persona apo teknik të paautorizuar nga kompania Electromagic Sh.p.k.
- Defekte që shkaktohen nga keqpërdorimi dhe përdorimi i pajisjes jashtë kushteve teknike të vendosura nga prodhuesi, të paraqitura në manualin e përdorimit.
- Keqpërdorimin apo dëmtimin fizik të brendshëm apo të jashtëm të pajisjeve.
- Dëmtimet që vijnë si rrjedhojë e fenomeneve natyrore.
- Defektet nga mbitensioni, nëntensioni apo luhatjet e tij.
- Nuk mbahet garanci për pajisjet e montuara nga palët e treta të paautorizuara nga Electromagic Sh.p.k.
- Pajisjet në rastin kur nuk janë përdorur për funksion shtëpiak.
- Në garanci nuk përfshihen aksesorët shoqërues të pajisjes. Në rastet që kërkohet asistencë teknike për mosfunksionalitet të pajisjes brenda garancisë, por gjatë konstatimit rezultatit të pajisjes është në rregull, shërbimi i kryer paguhet nga klienti.

Asistenca Teknike:

Asistenca Teknike konsiston në sigurimin e pjesëve origjinale të këmbimit sipas afateve që dikton marka dhe servis të autorizuar gjatë gjithë jetëgjatësisë së produktit.



GARANCIA E PRODUKTIT

Shërbime



+355 42 22 3497



+355 69 209 2571



Info@electromagic.al



service@electromagic.al

Përputhet me rregulloren e AEEE.

Nëse keni ndonjë ankesë, ju mund të deponitoni ankesat dhe kundërshtimet tuaja në gjykatat e konsumatorëve dhe komitetet e arbitrazhit të konsumatorëve.